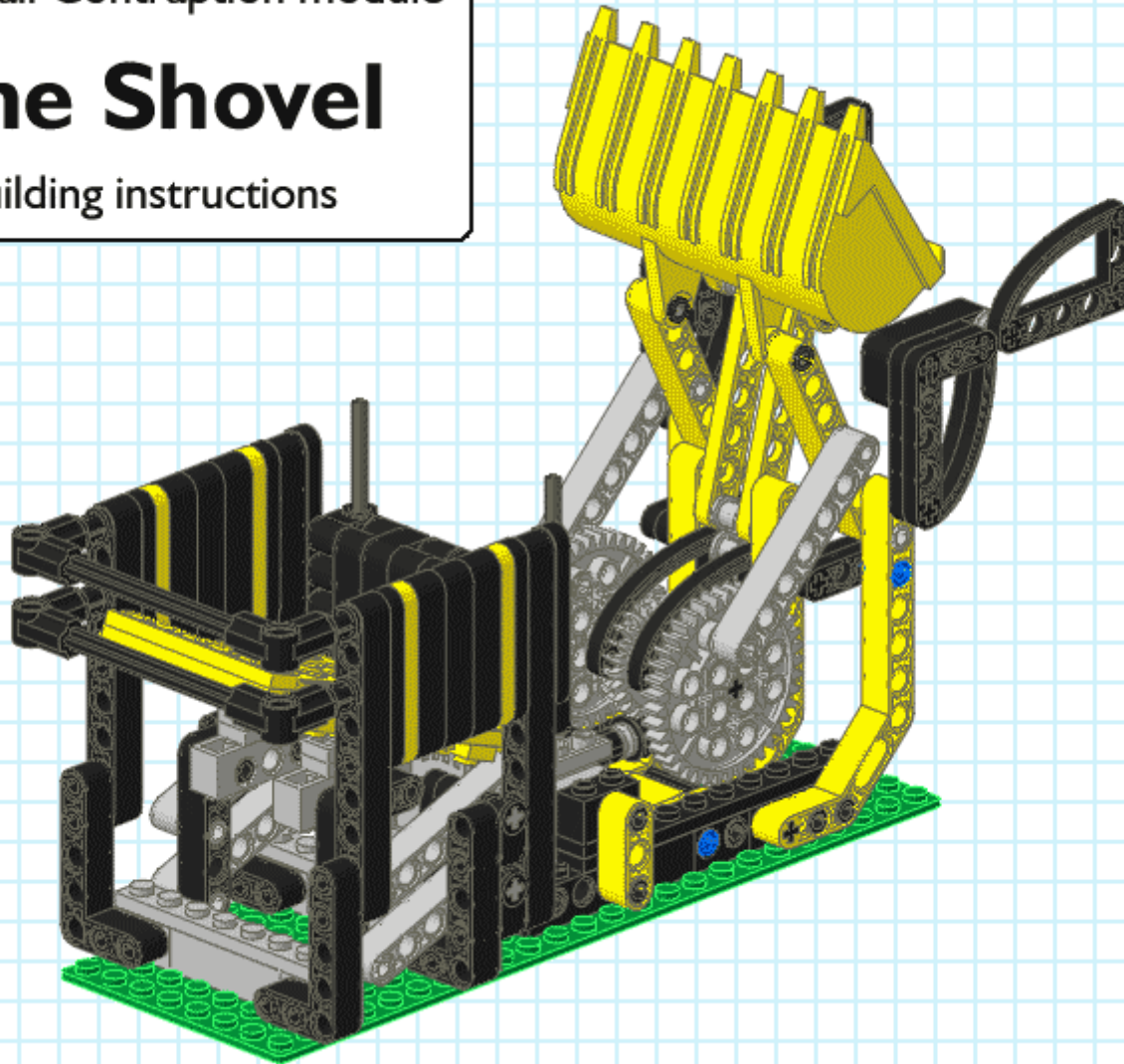
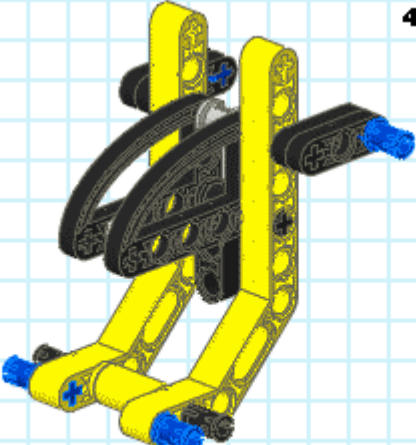
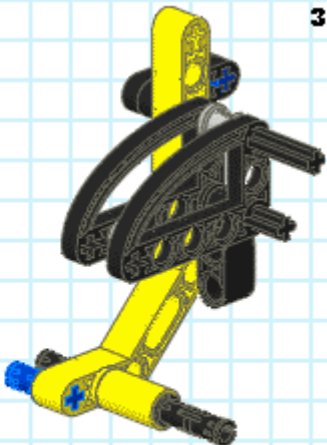
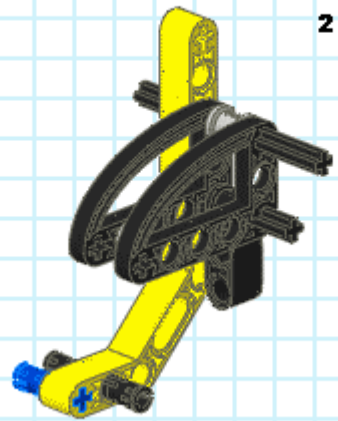
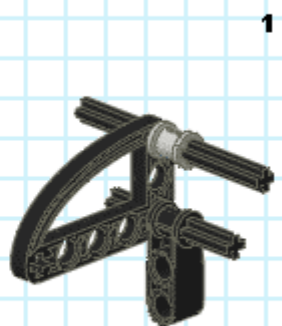
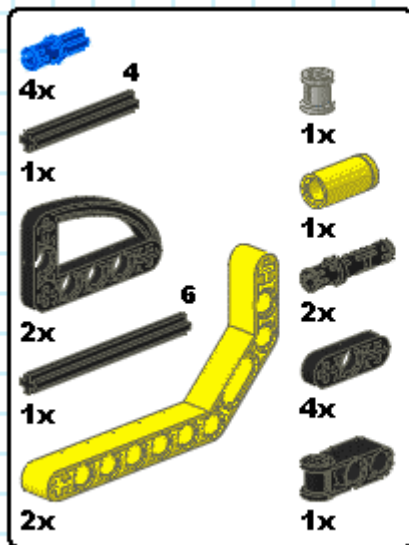


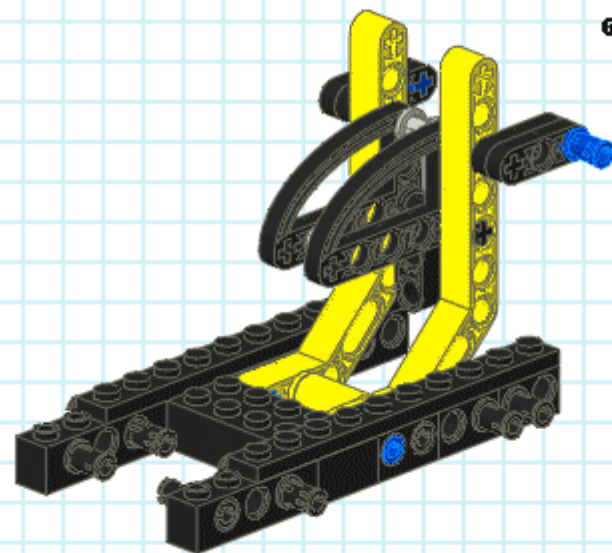
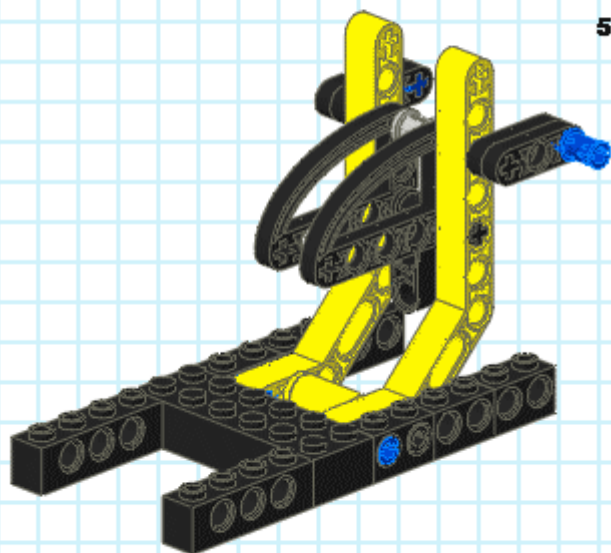
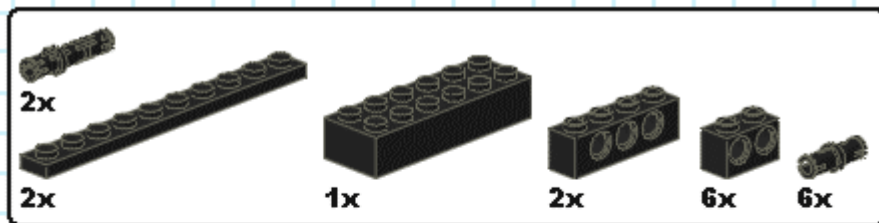
Great Ball Contraption module

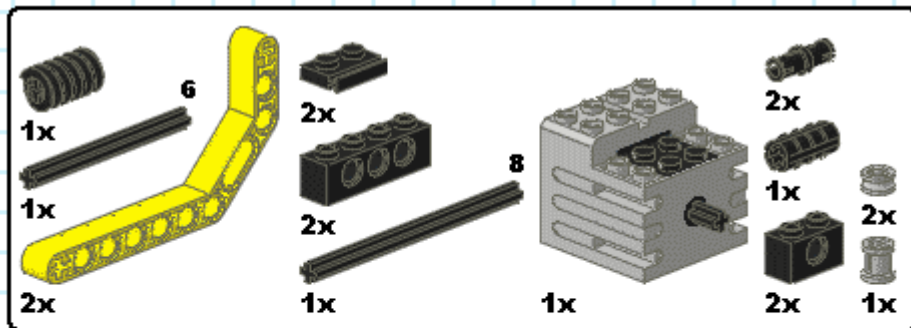
The Shovel

Building instructions

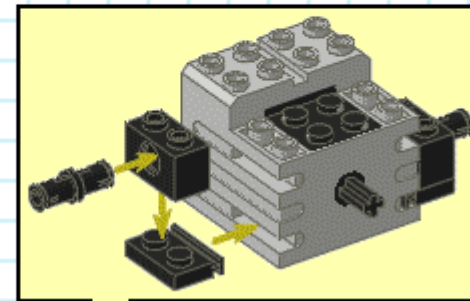
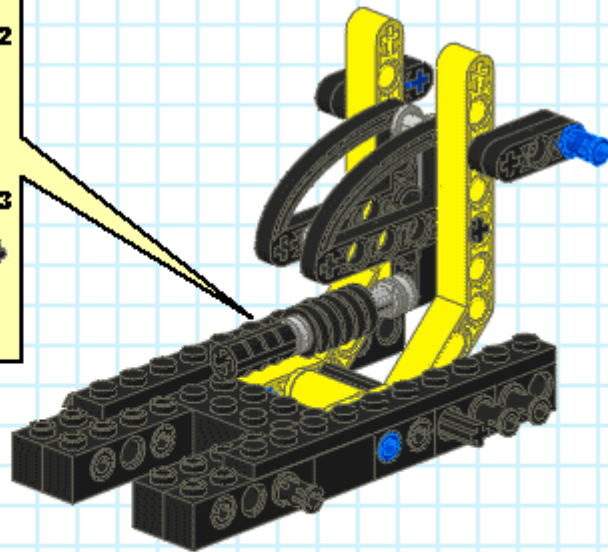
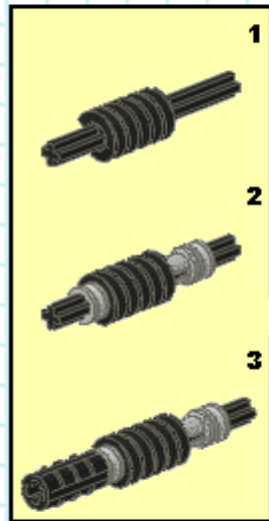




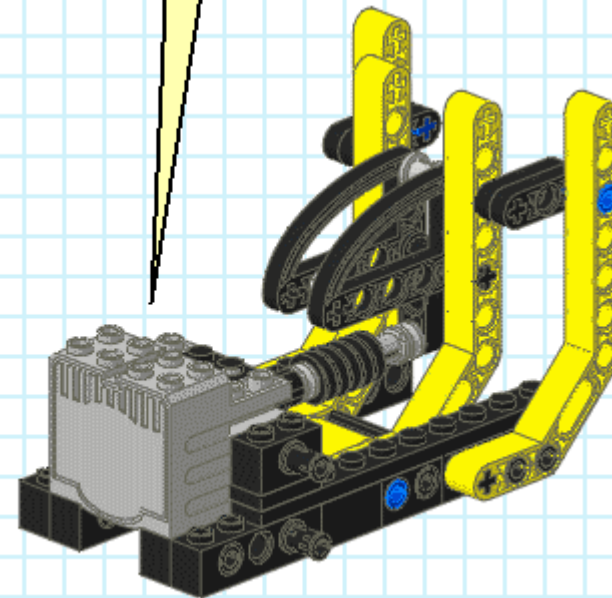


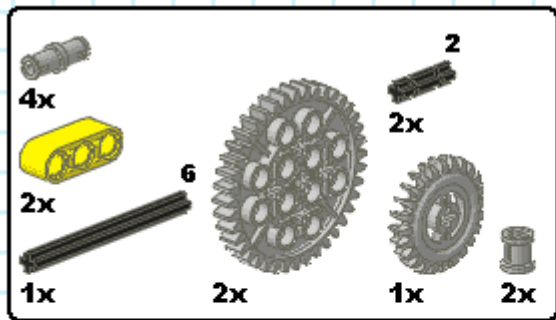


7

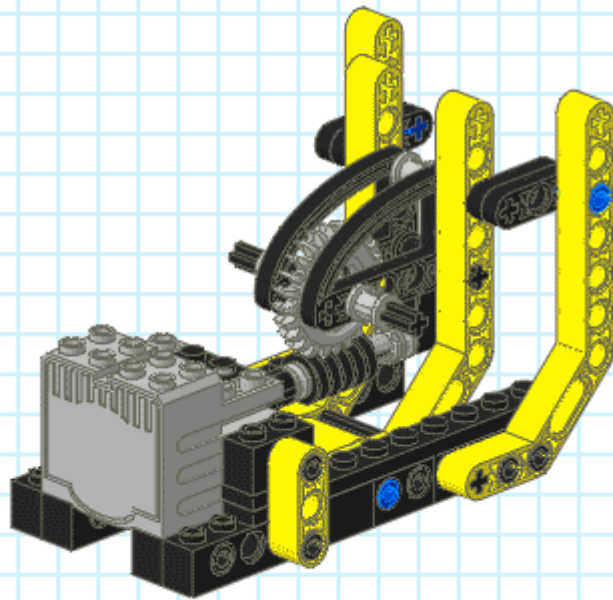


8

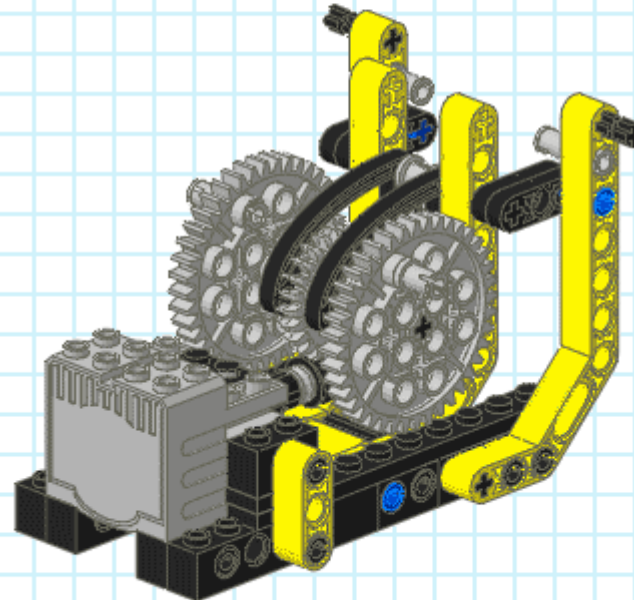


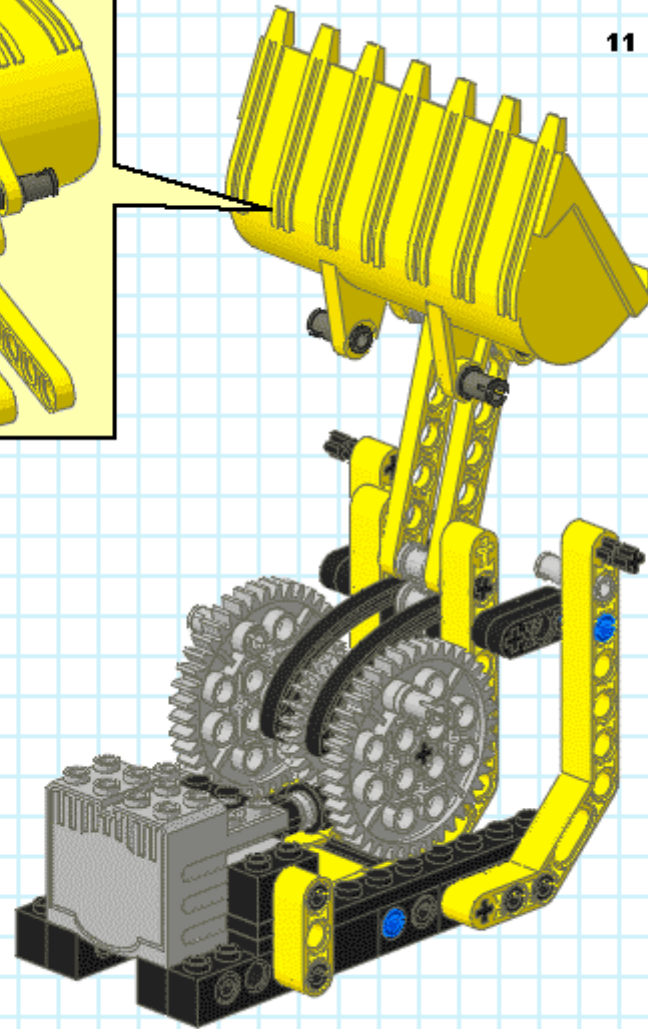
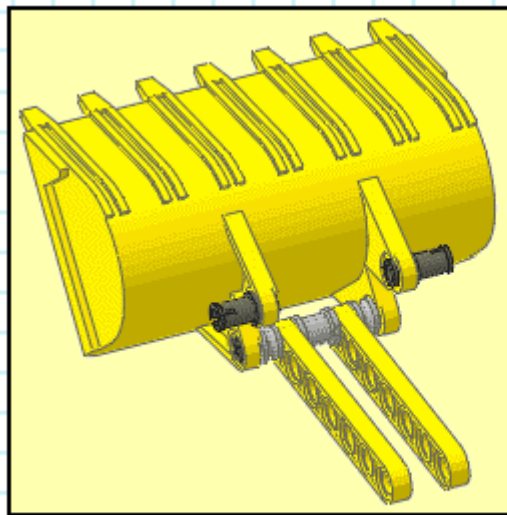


9

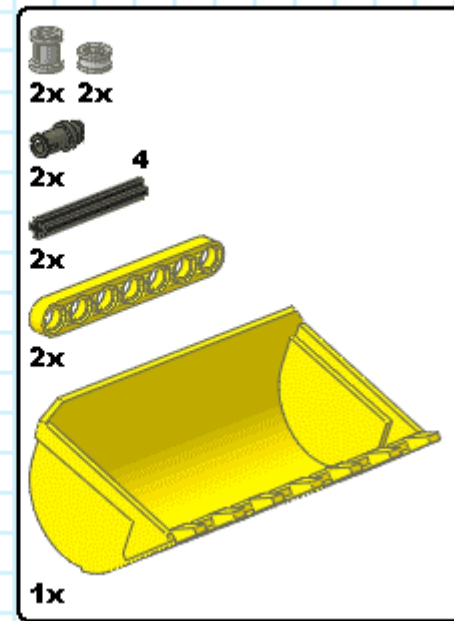


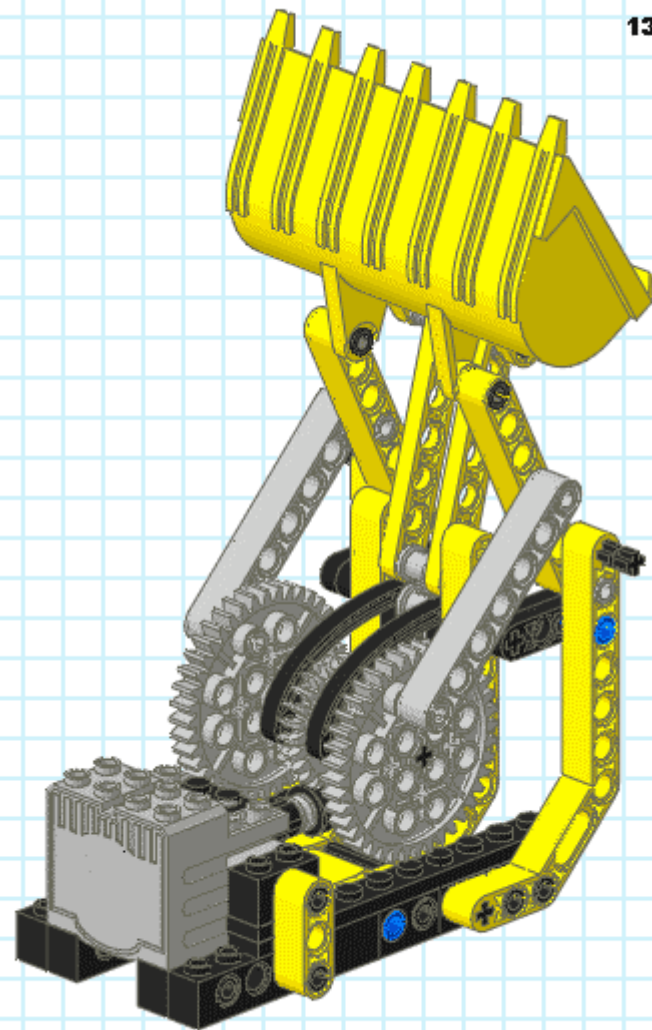
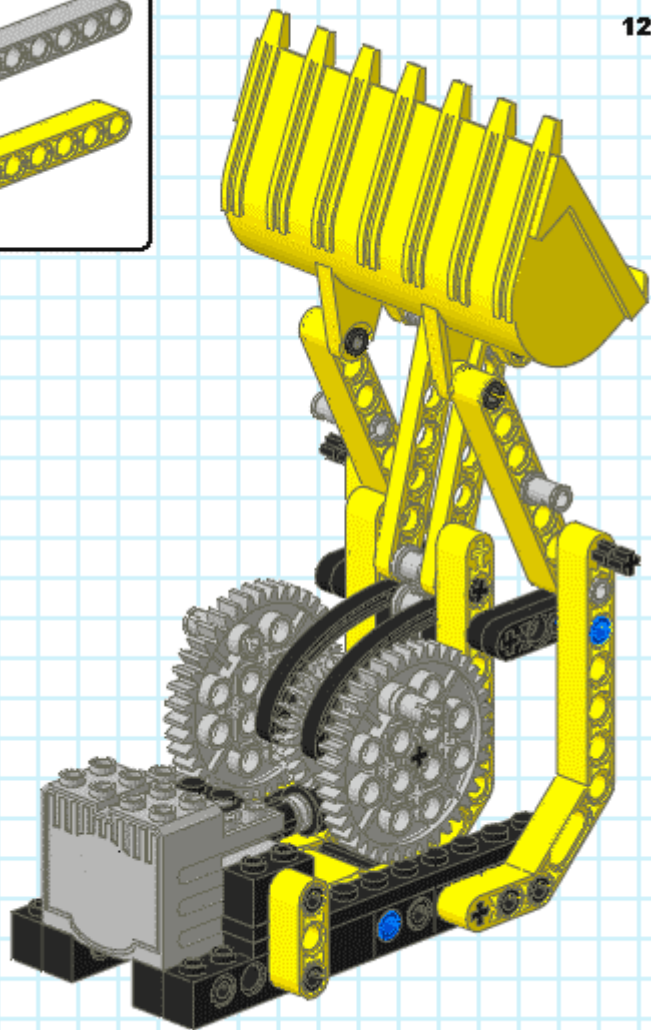
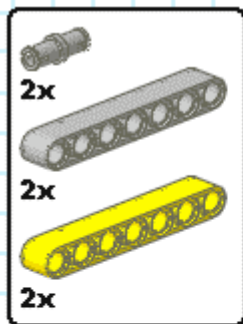
10









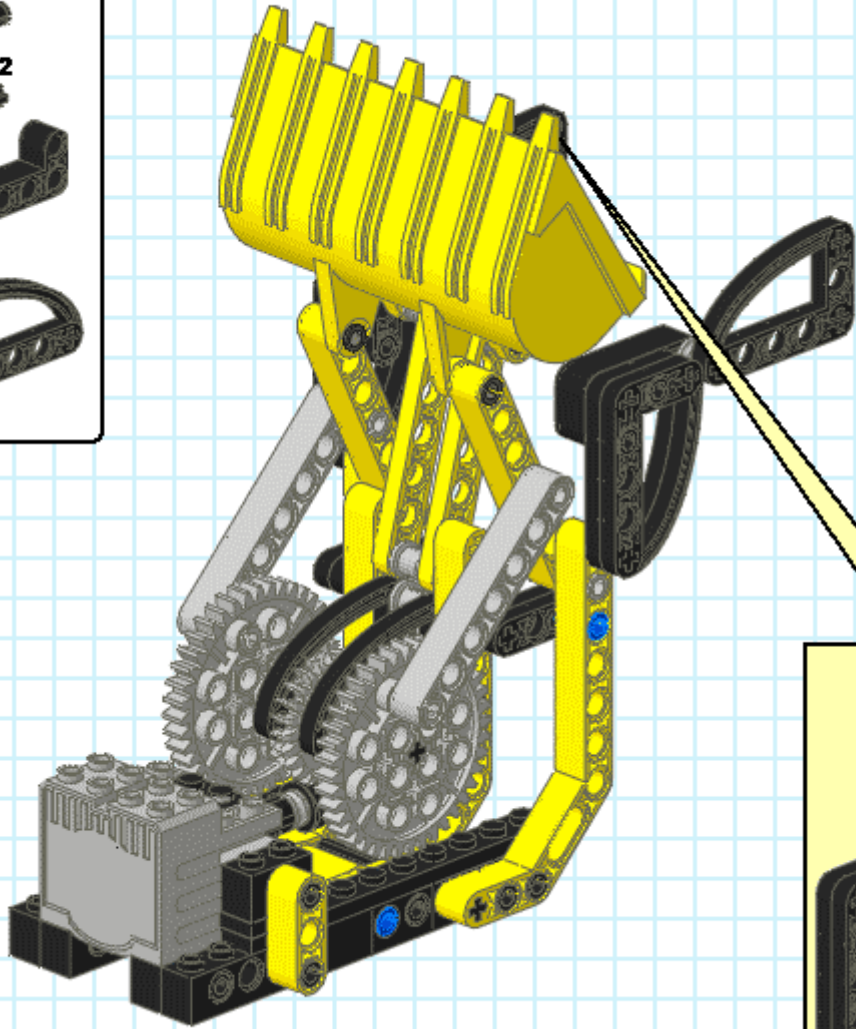


11

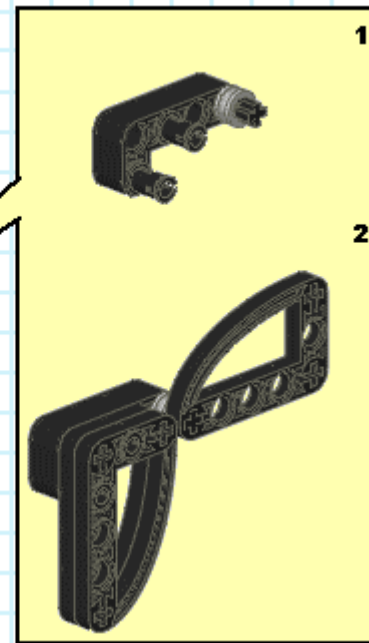




-  2x
-  4x 2
-  2x
-  2x
-  2x
-  6x

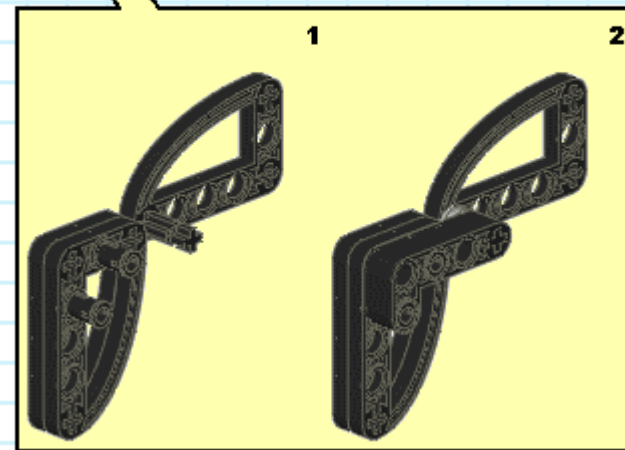


14



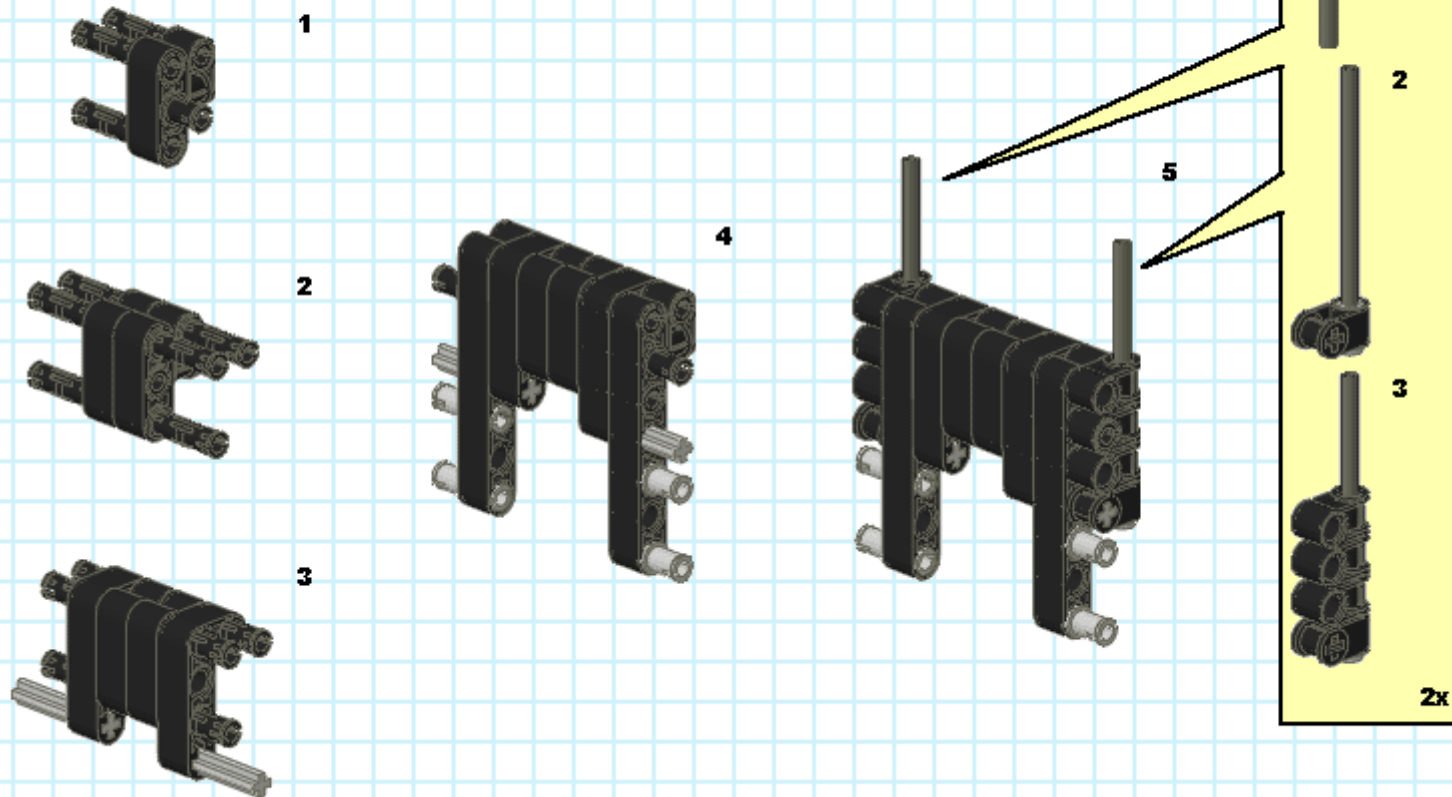
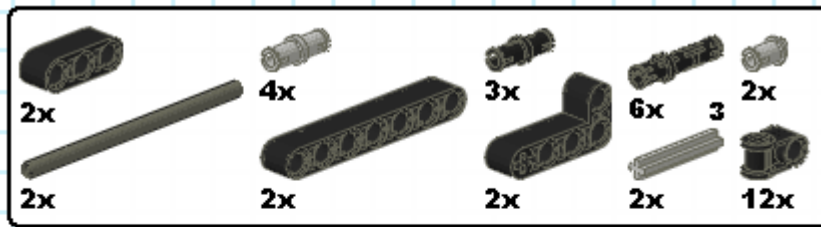
1

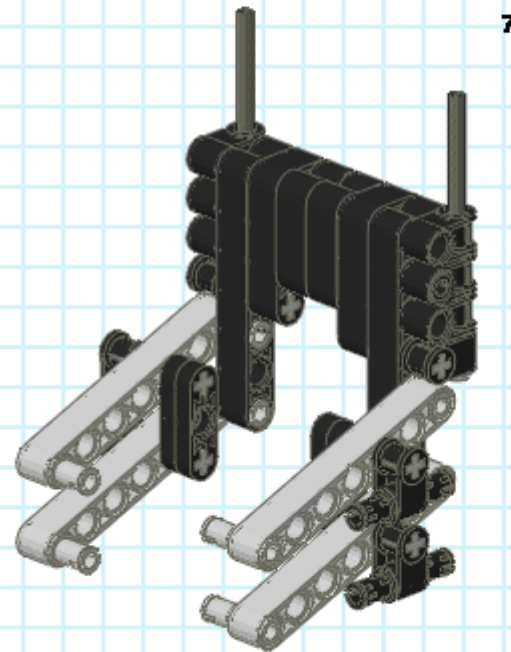
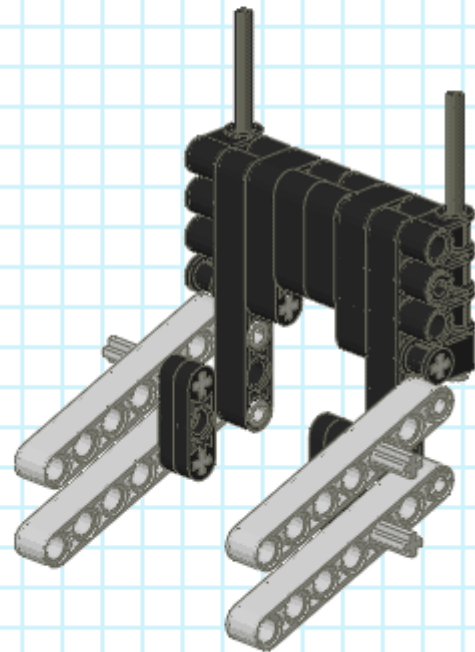
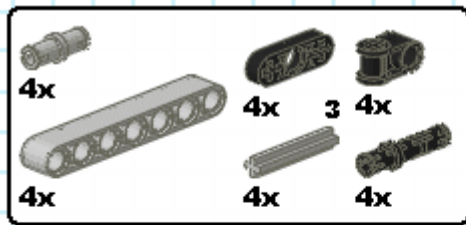
2

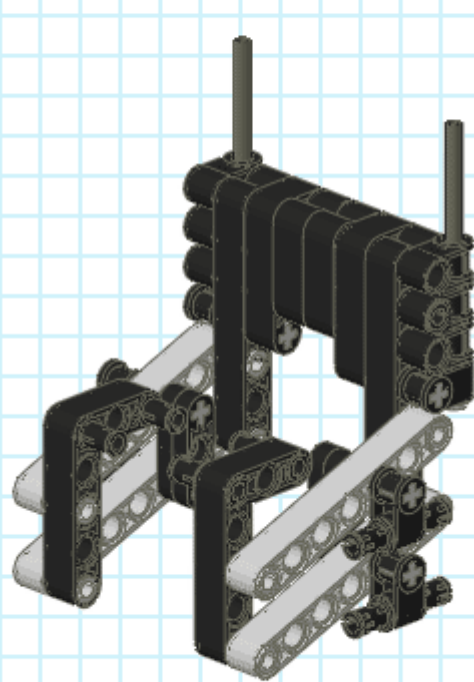
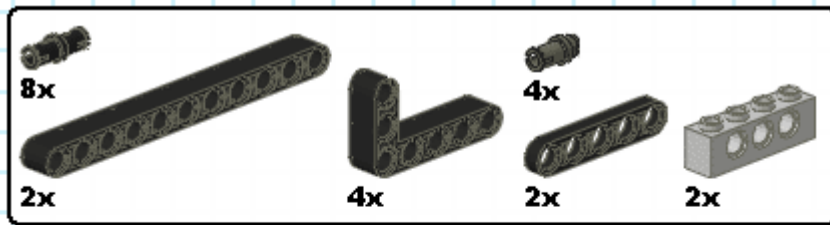


1

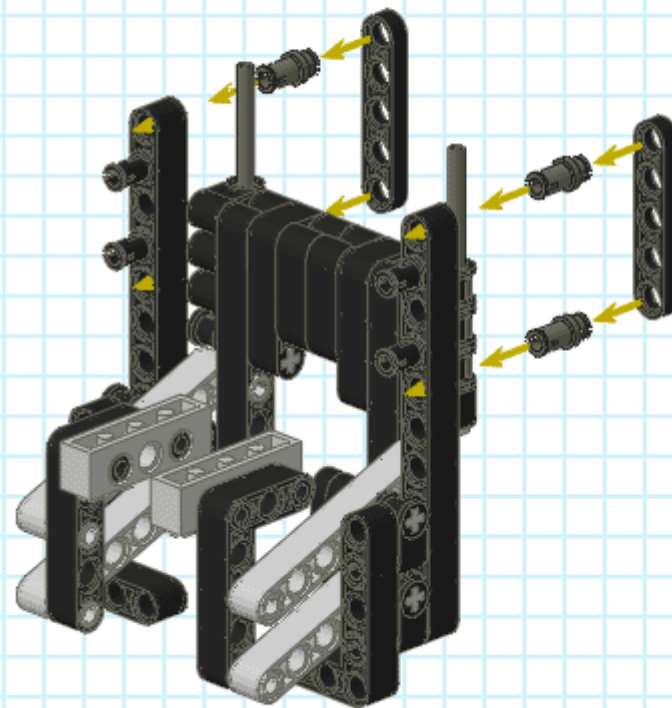
2



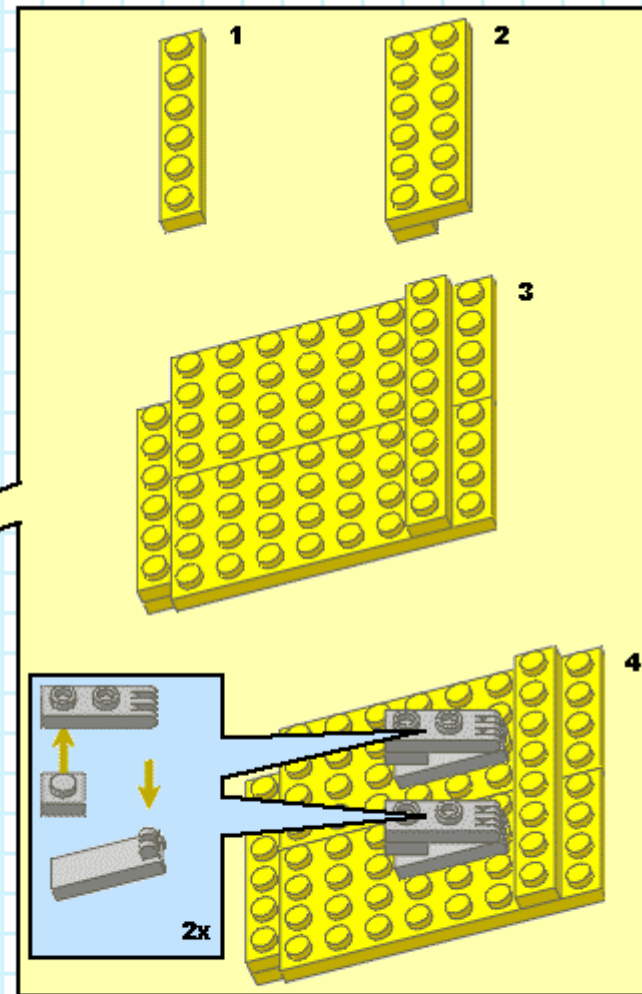
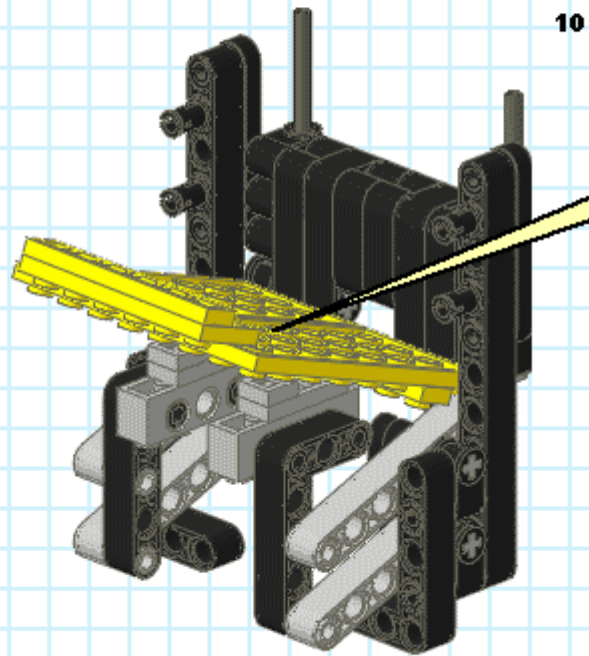
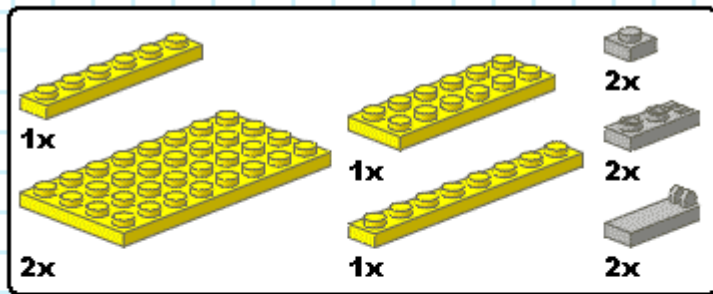


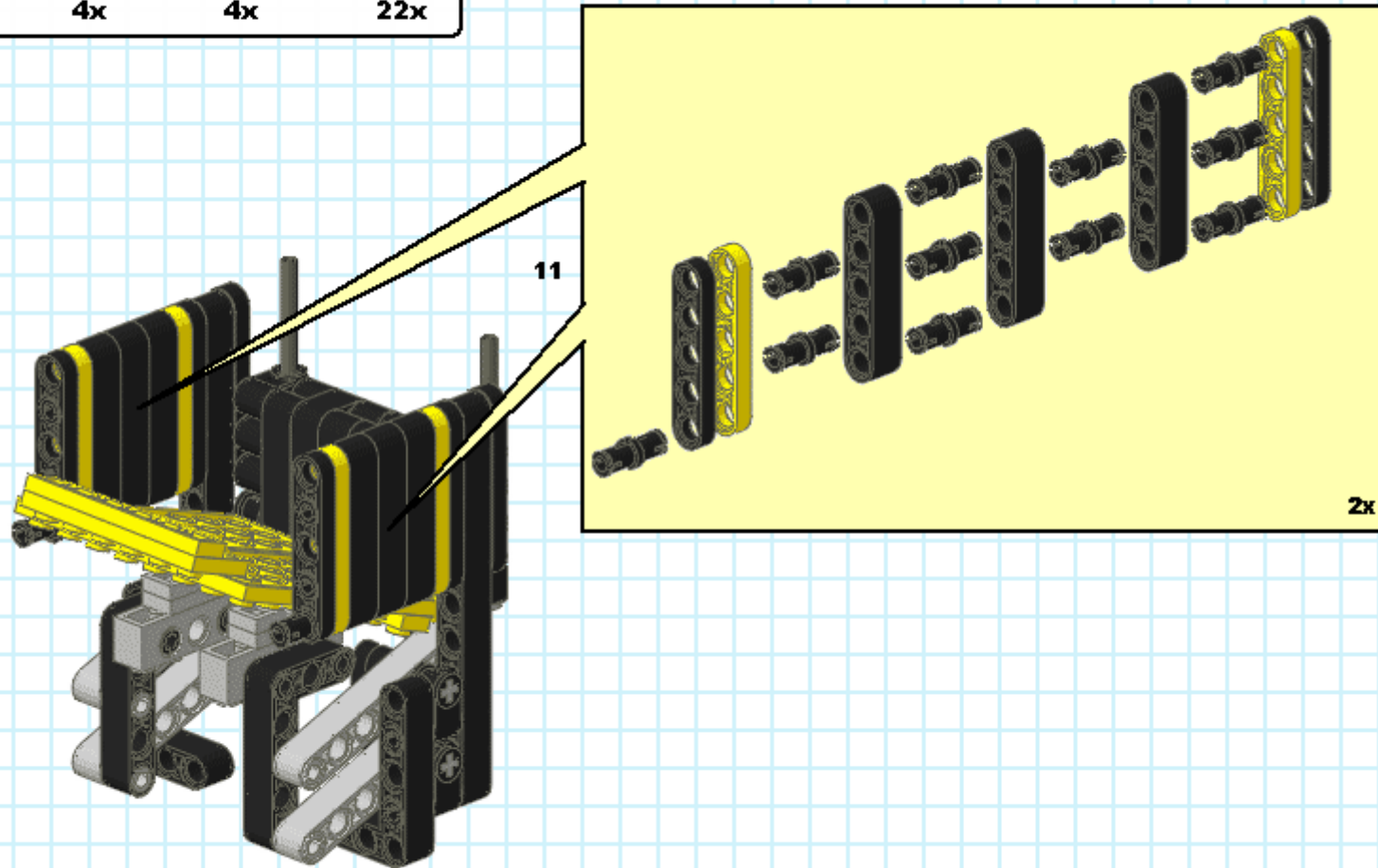
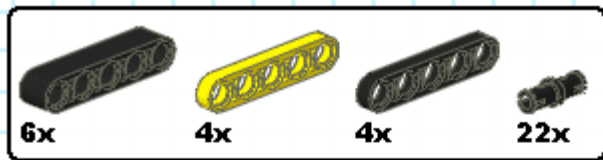


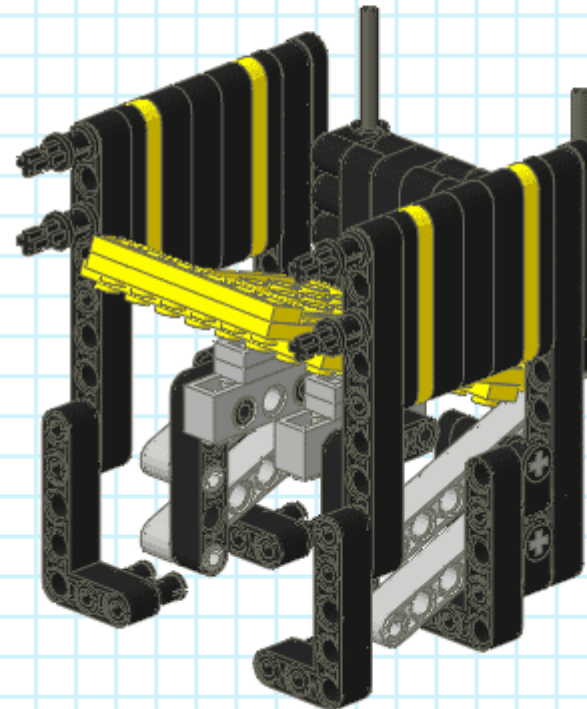
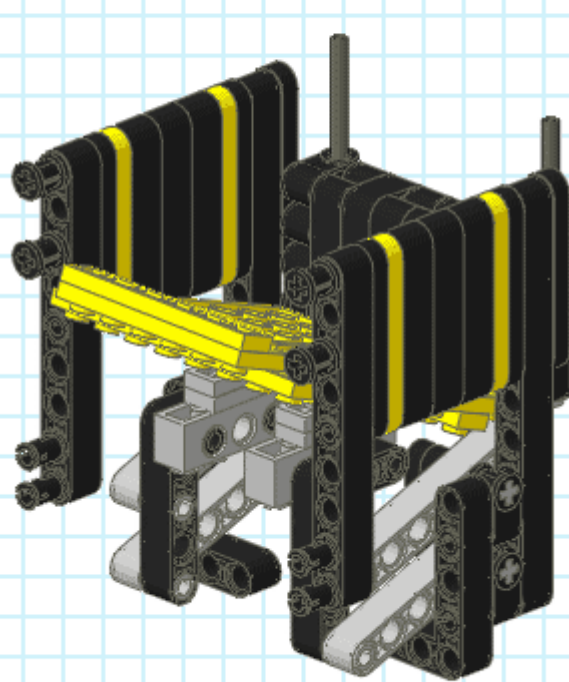
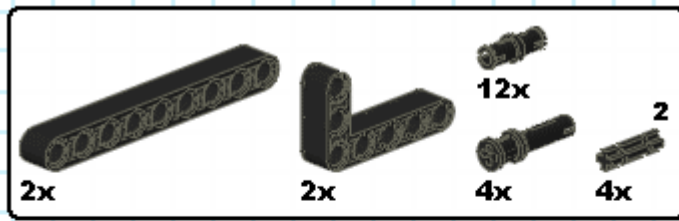
8

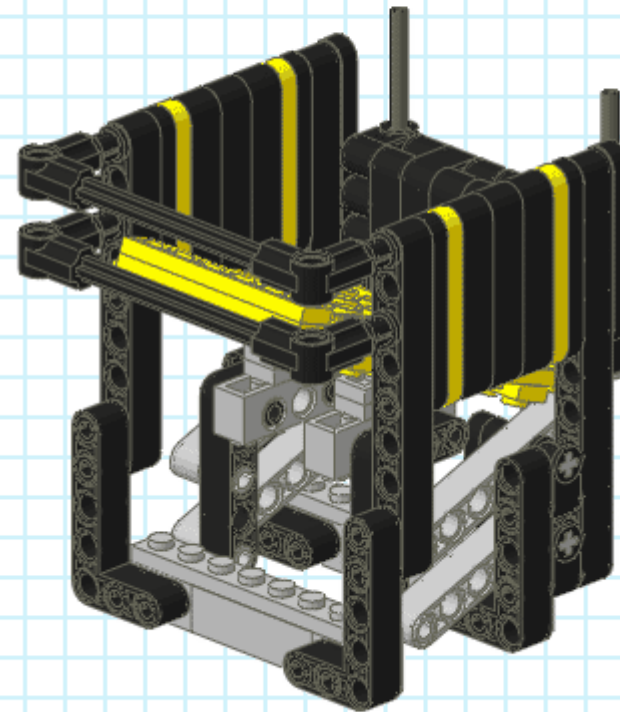
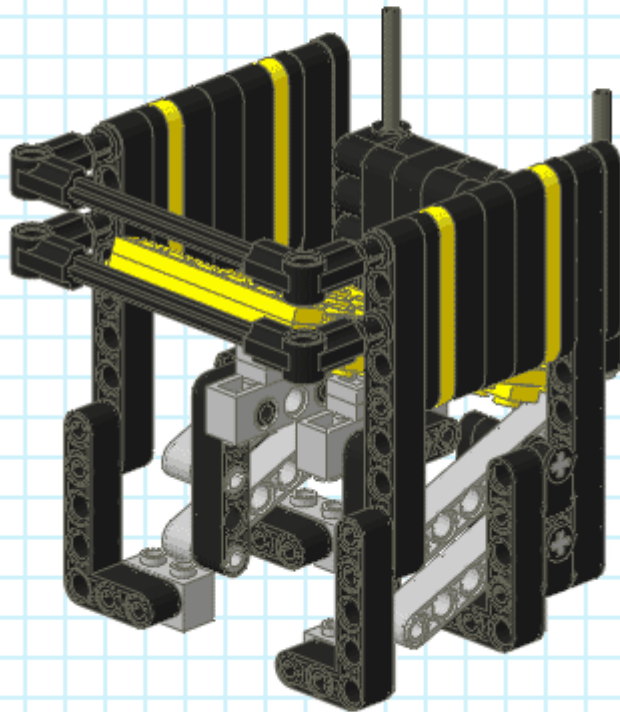
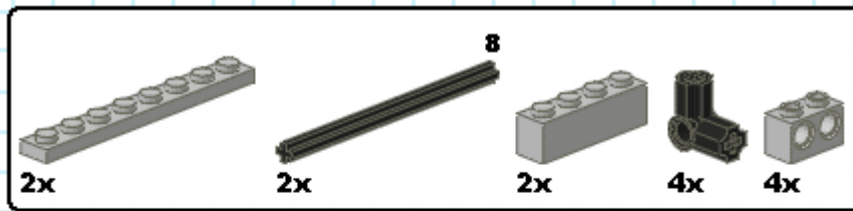


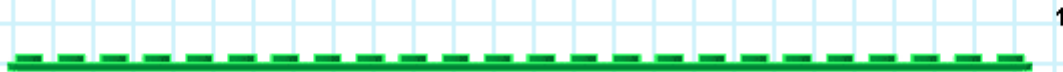
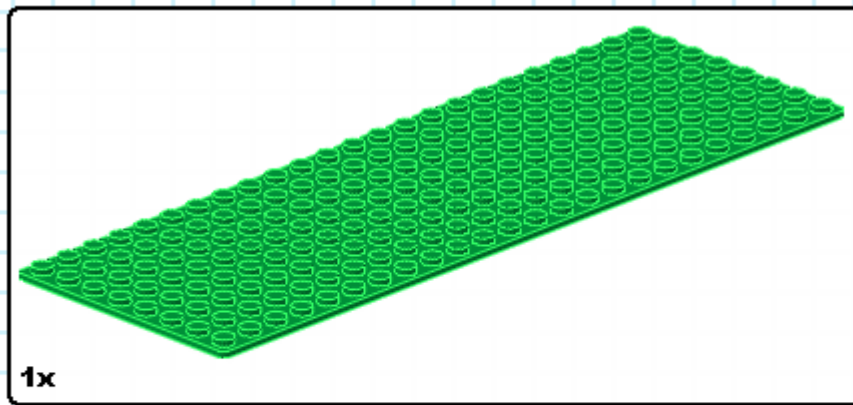
9





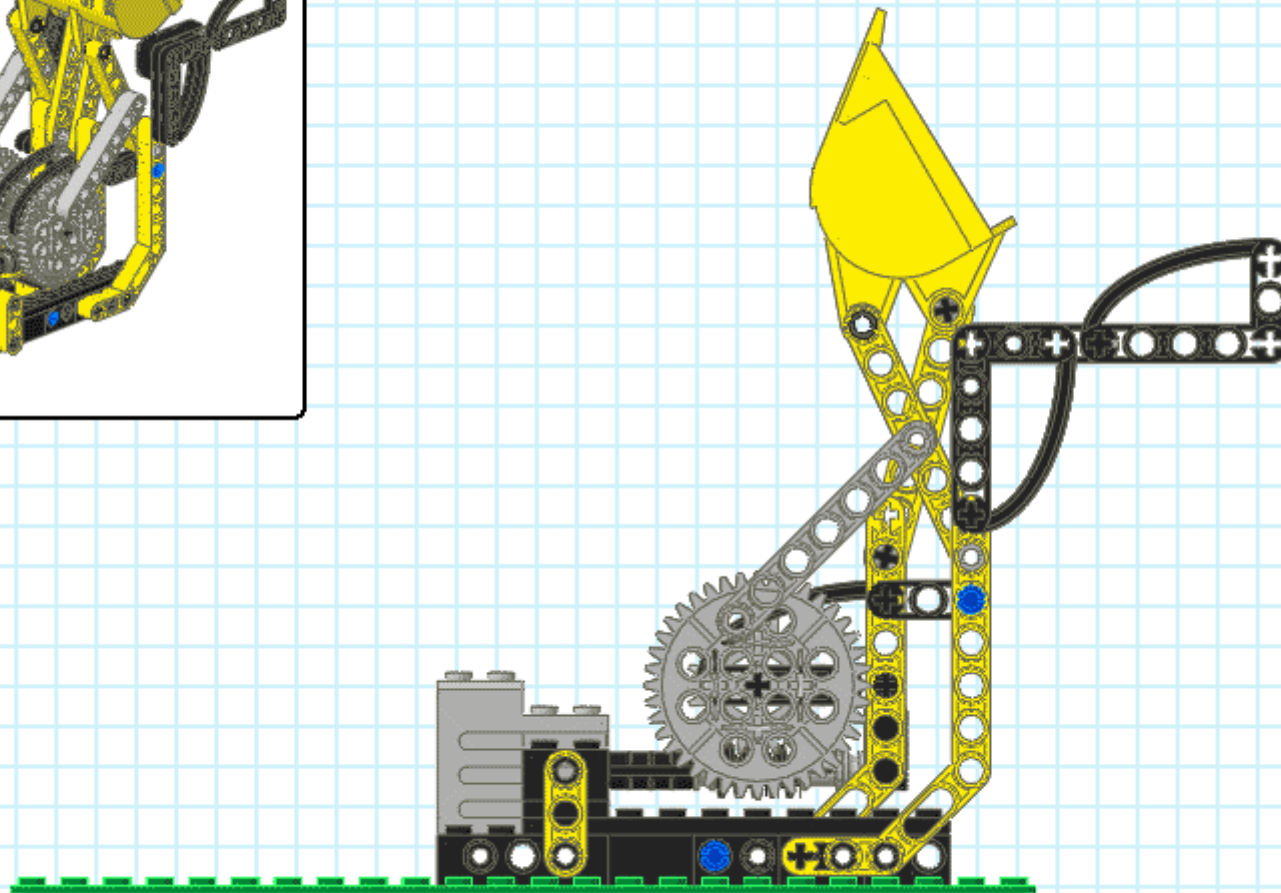


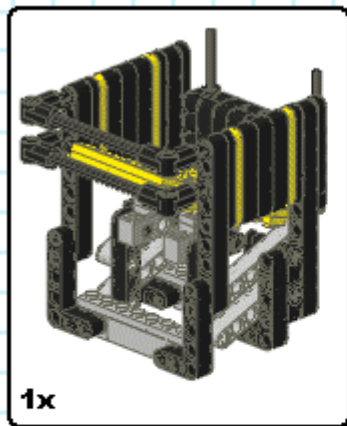




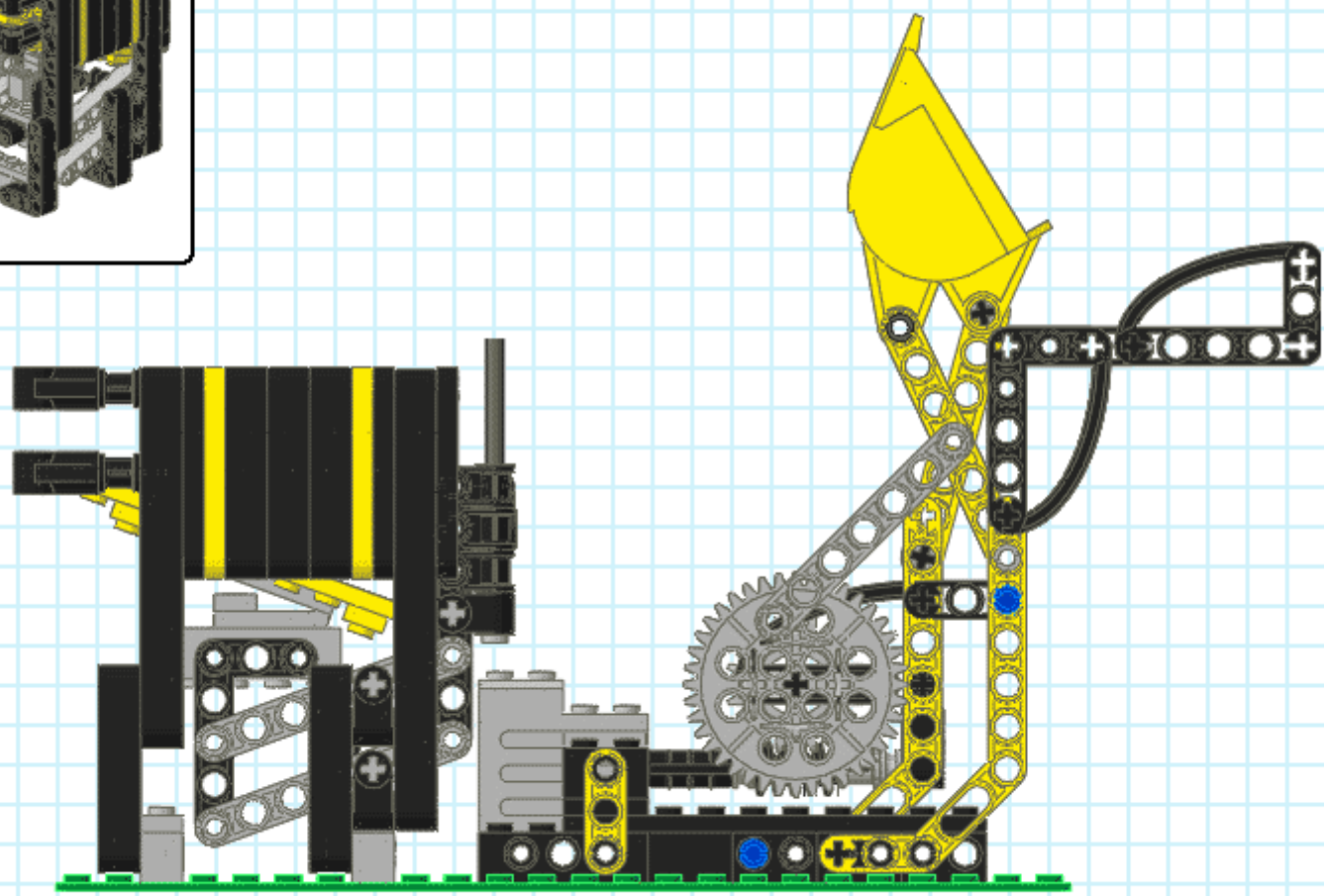


2

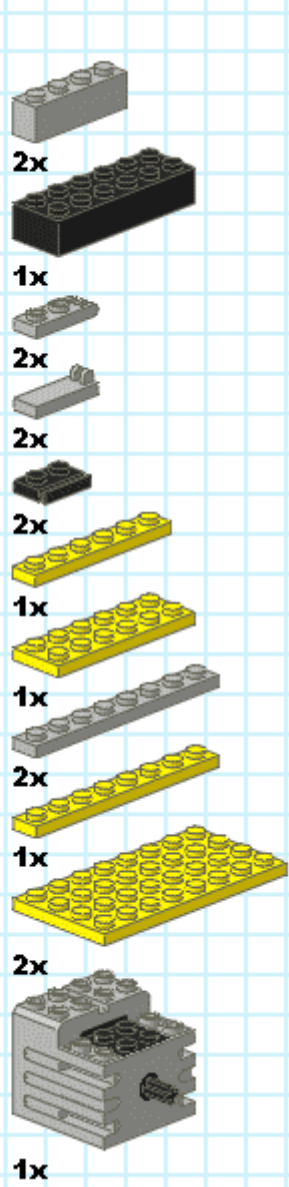
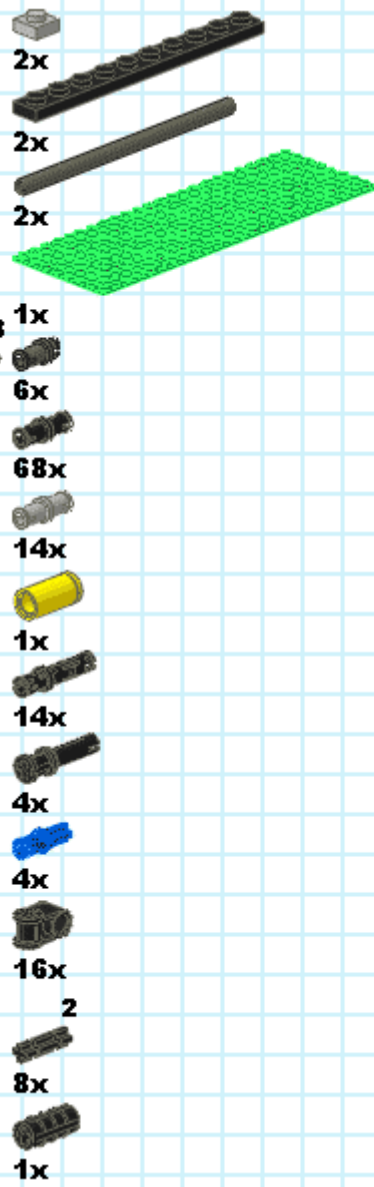
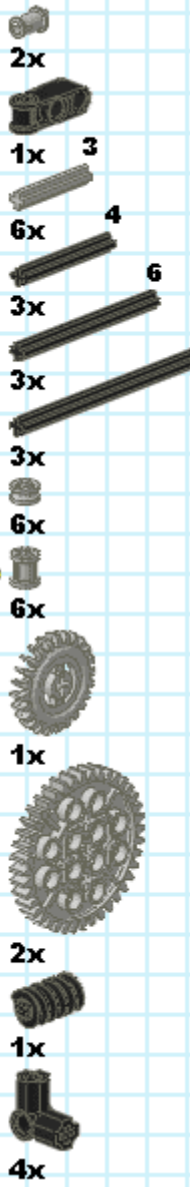
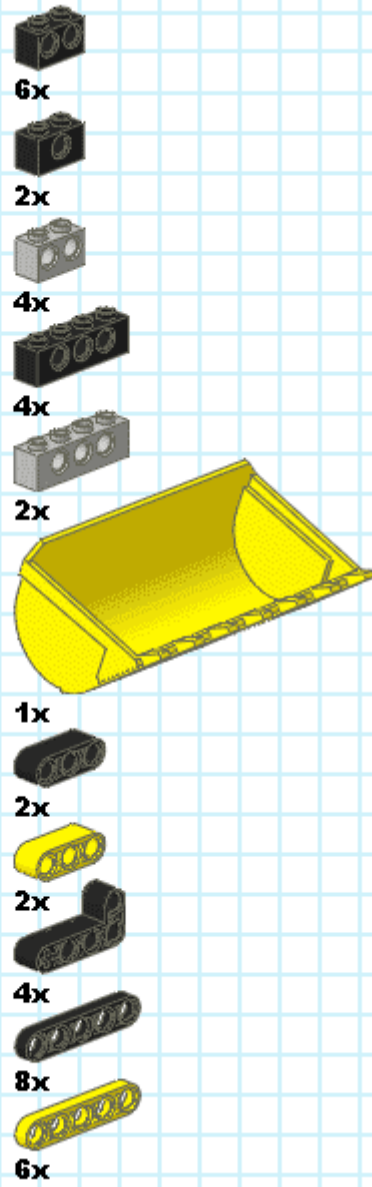
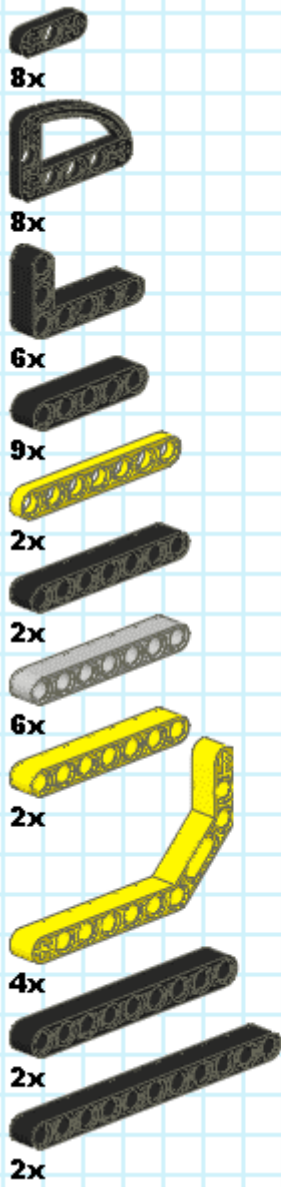




3



© Philippe "Philo" Hurbain 2005



Tools

Initial Modelling: LeoCAD
www.leocad.org

MPD building, arrows: MLCad
<http://www.lm-software.com/mlcad/>

Publishing tool: LPub
<http://www.kclague.net//LPub/>

Renderer: LdGLite
<http://ldglite.sourceforge.net/>

*Special thanks to the guys behind these great tools,
and to the numerous LDraw parts authors.*