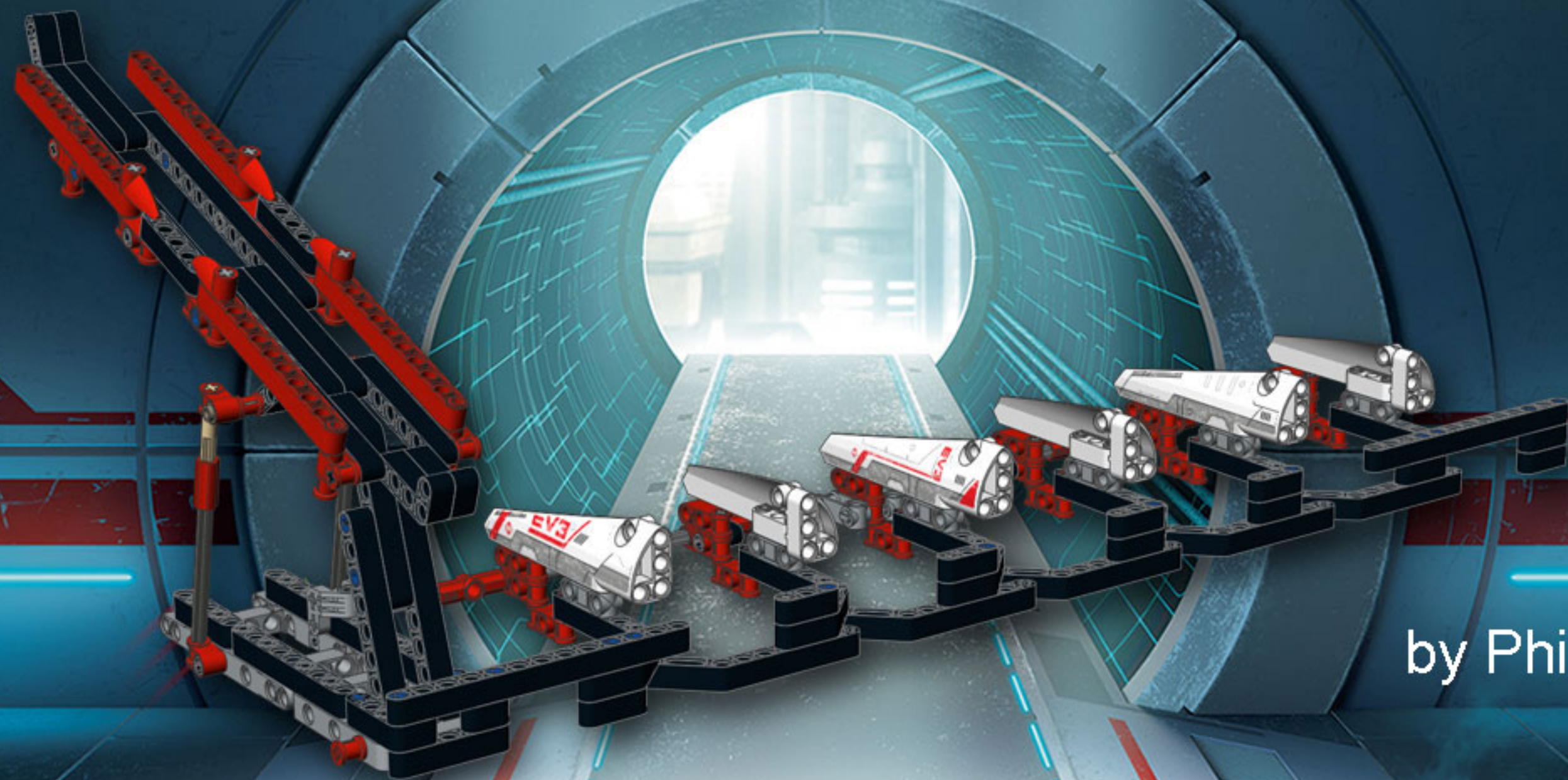


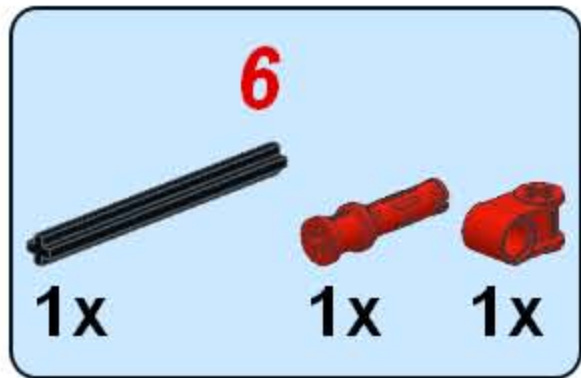
# SORT3R

## Brick chute and bins building instructions

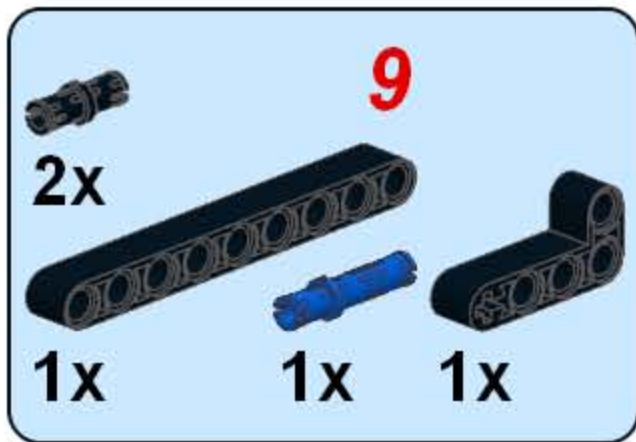


by Philippe «Philo» Hurbain

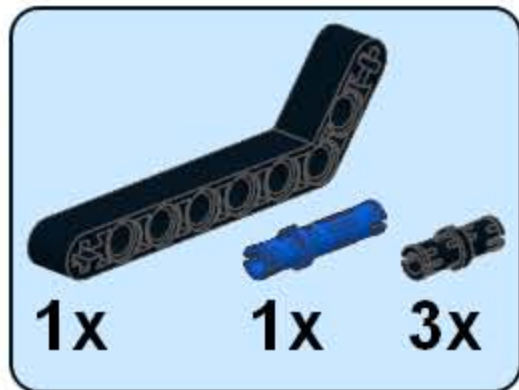
1



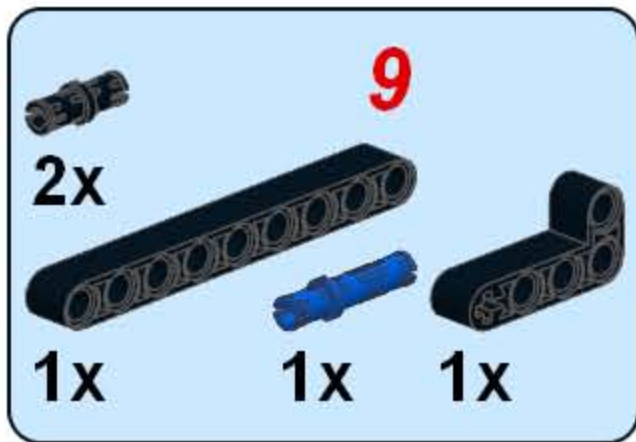
3



2



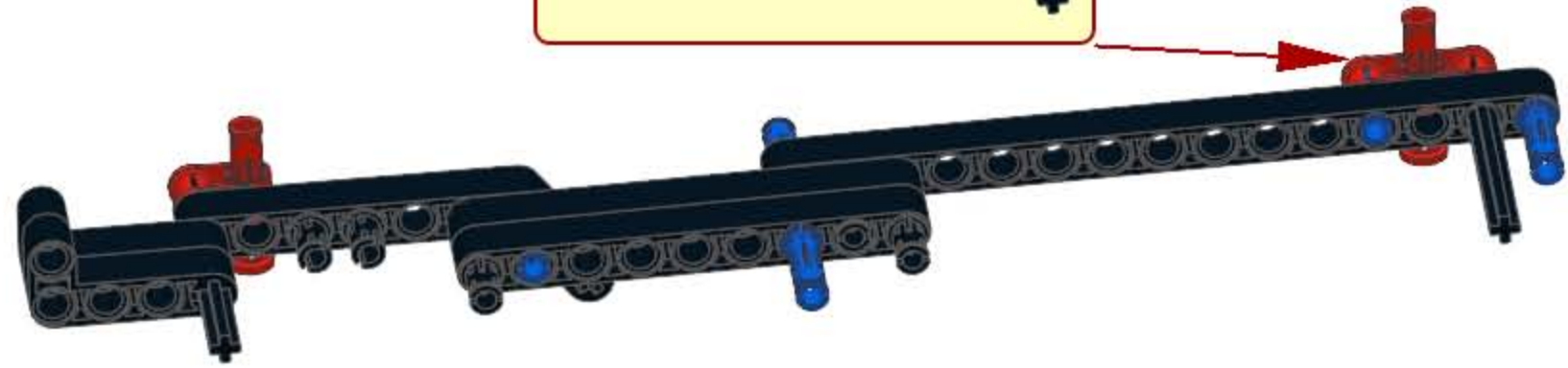
4



5





1x **6**  
1x  
1x **15**  
1x  
1x  
1x

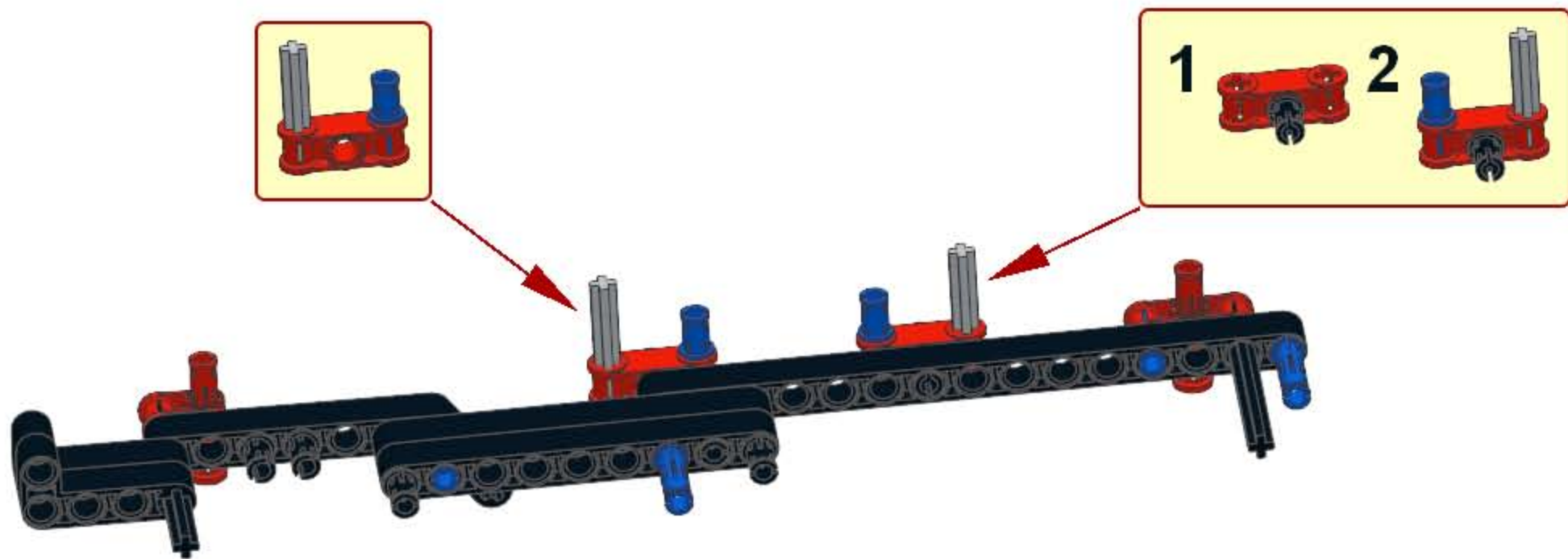
1 2



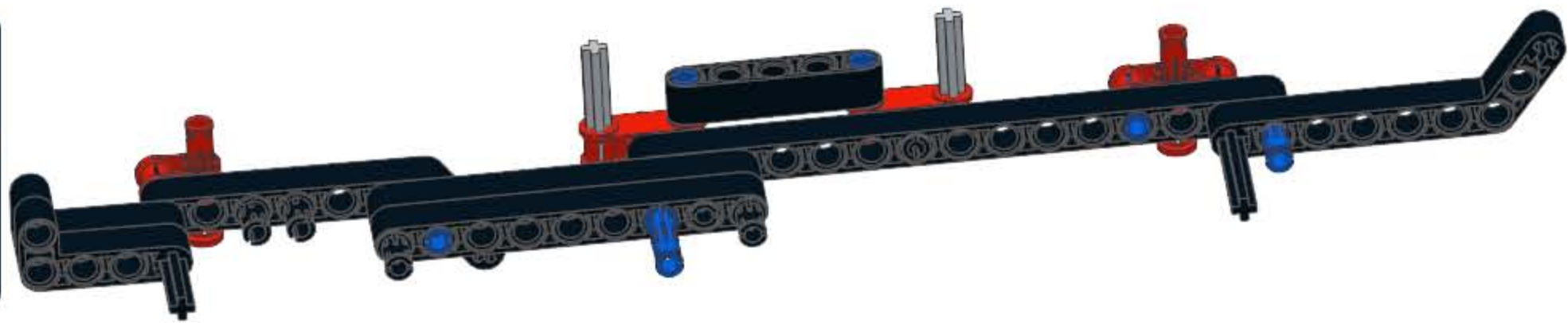
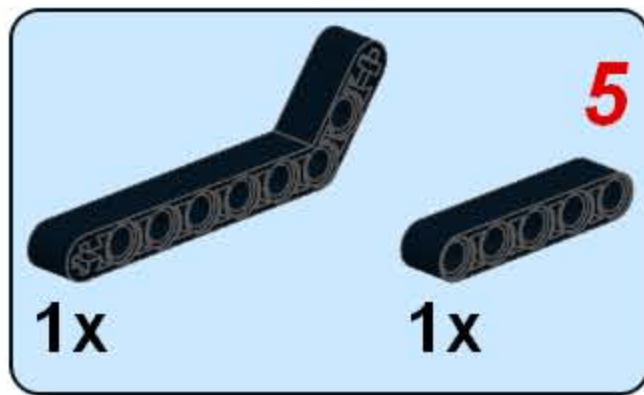
6

3

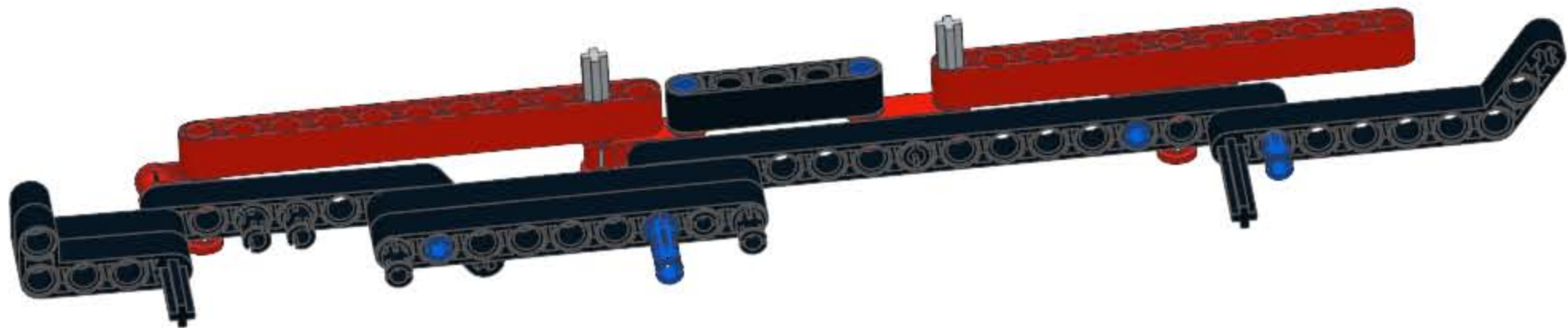
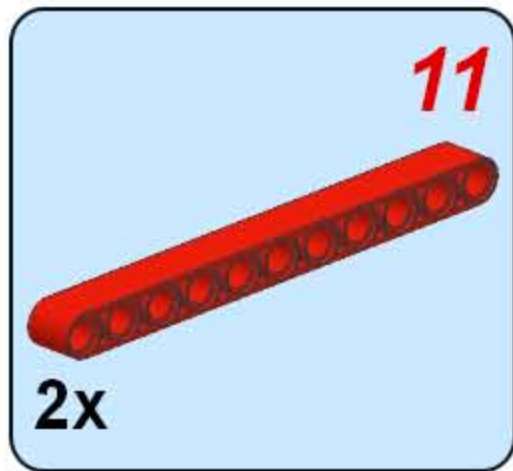
	
2x	1x
	
2x	2x



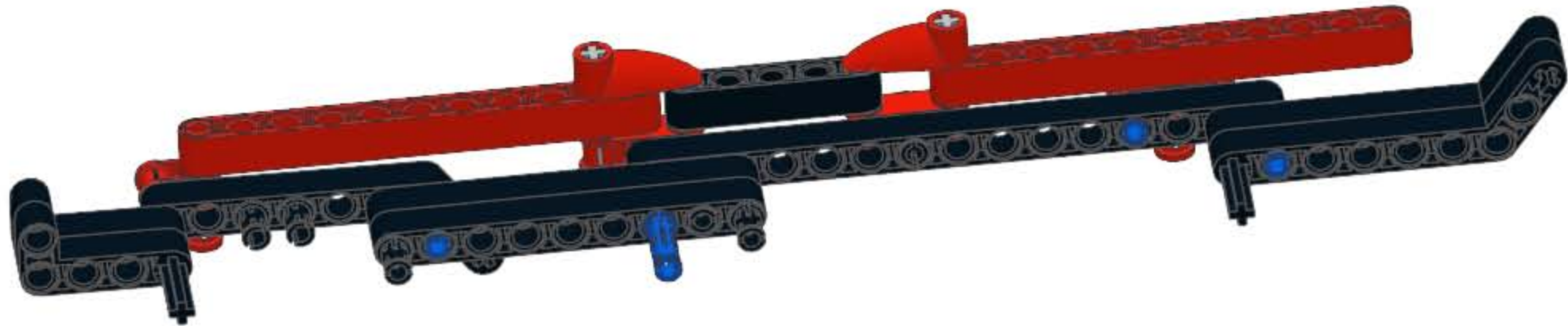
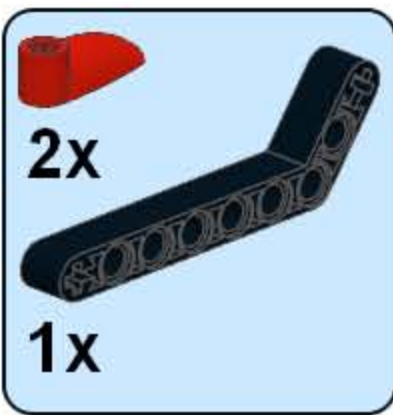
7




8





9

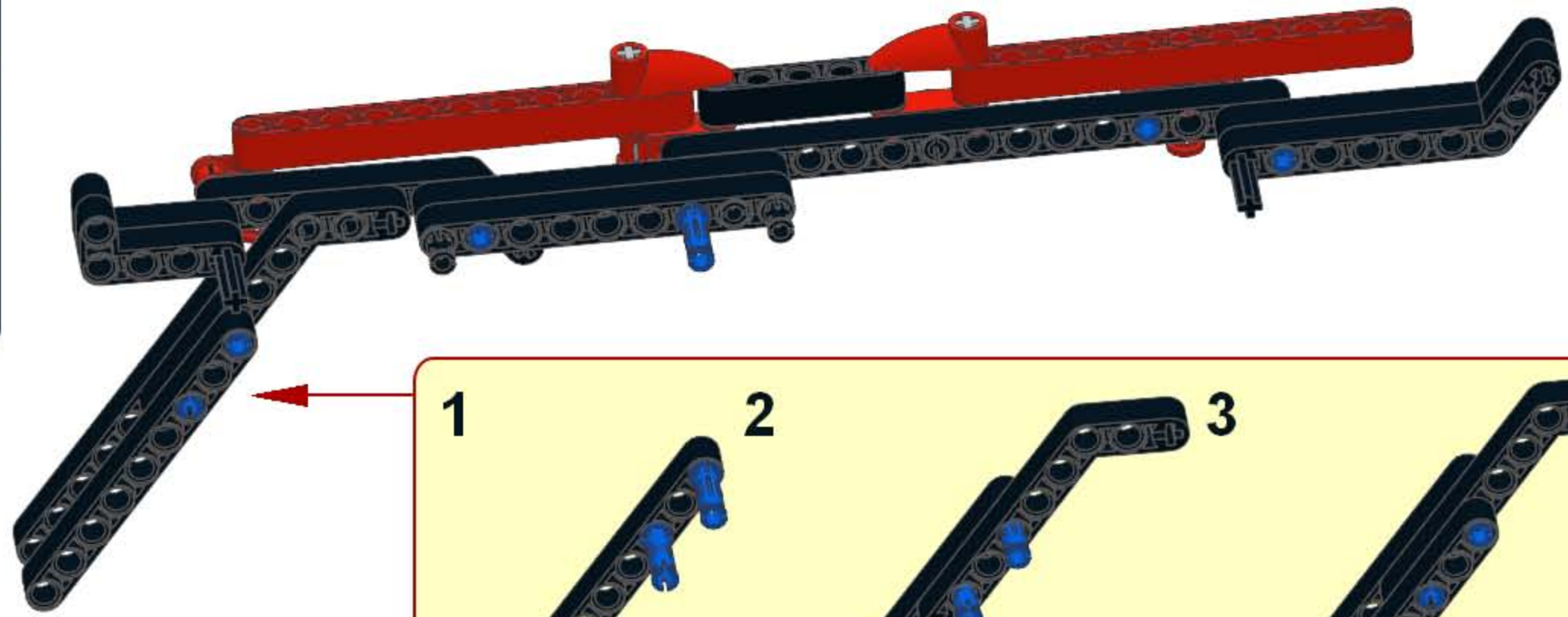





10

1x  9

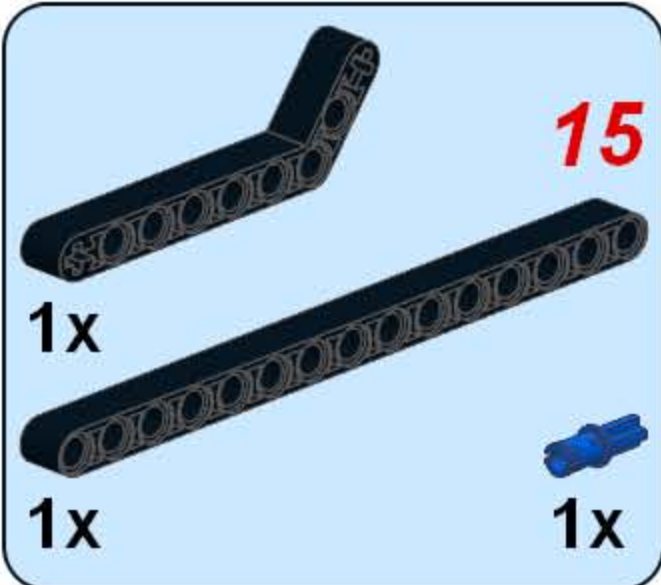
2x  2x

2x  2x



1  2  3 

11









1x **15**  
1x  
1x

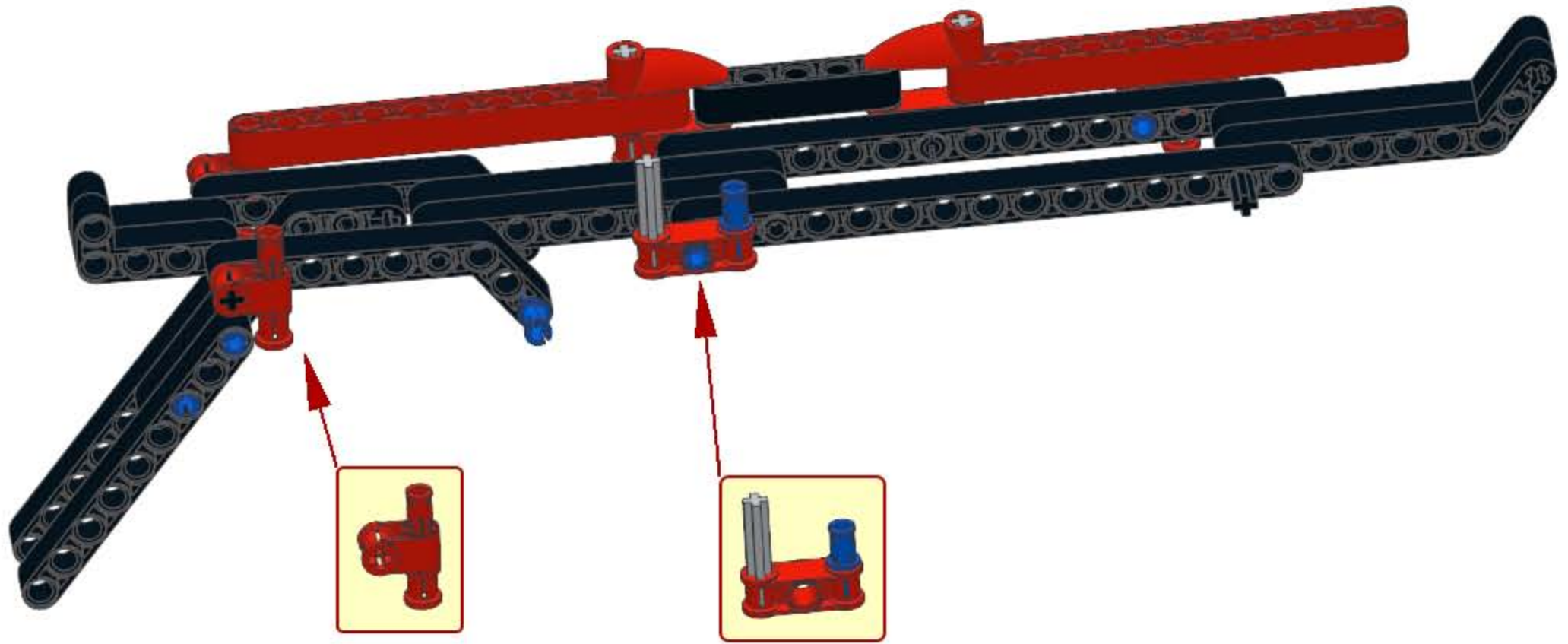
This inset box lists the parts required for step 11. It includes one black L-shaped Technic beam (15 holes), one black 1x15 Technic beam, and one blue Technic pin.











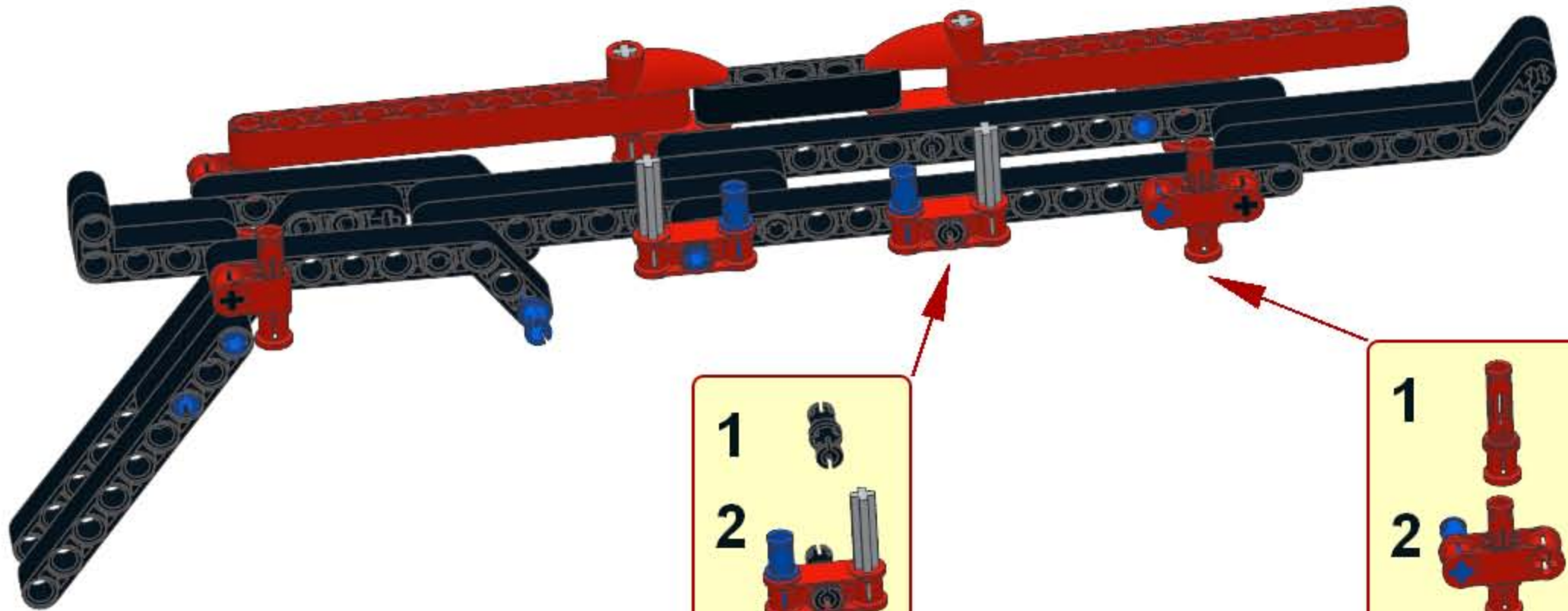
12

- 1x 
- 1x 
- 3 
- 1x 
- 1x 
- 1x 





# 13

 1x	 1x	 1x
 2x	 3	 2x



1	
2	

1	
2	

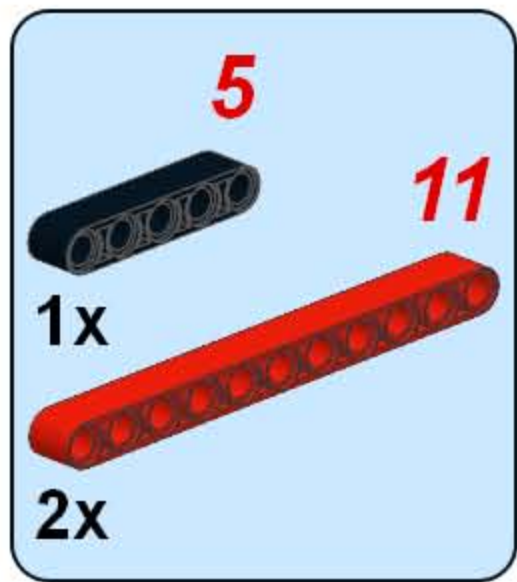
14

5

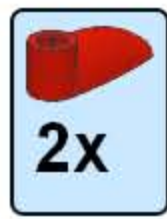
11

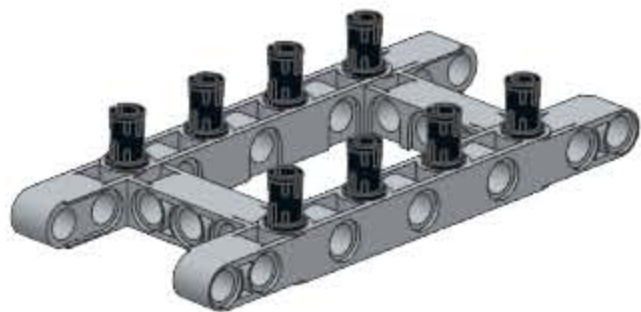
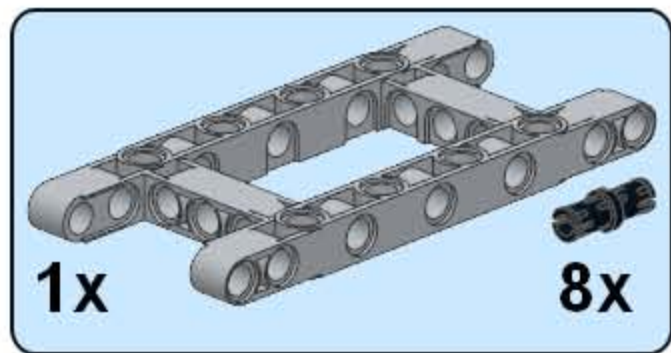
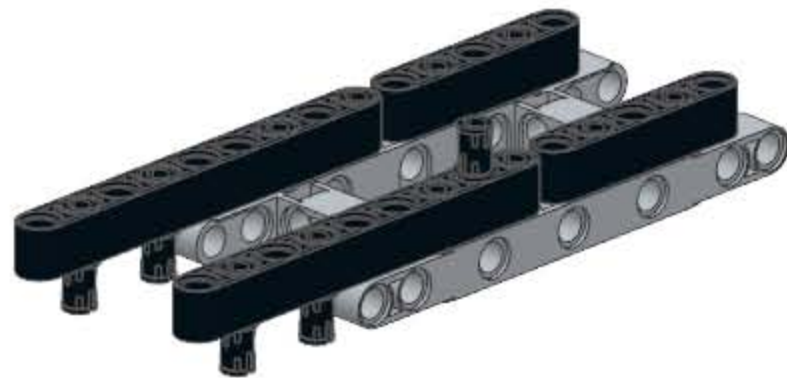
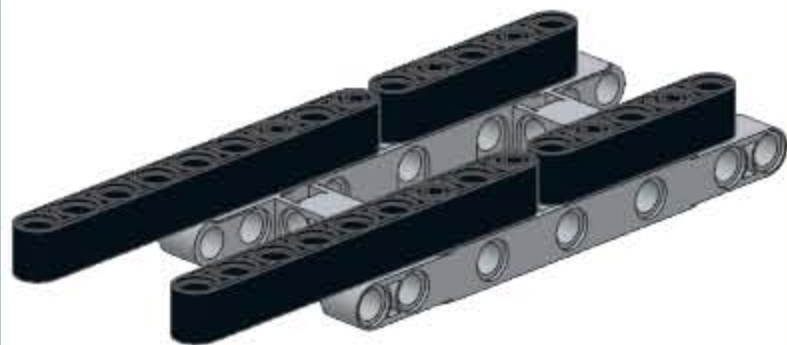
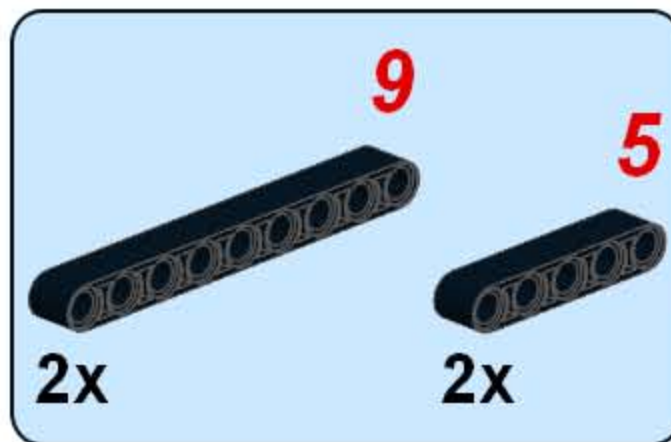
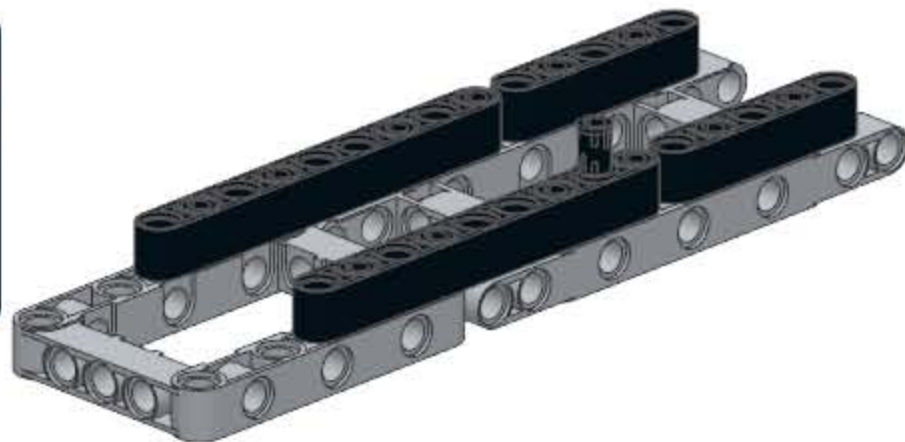
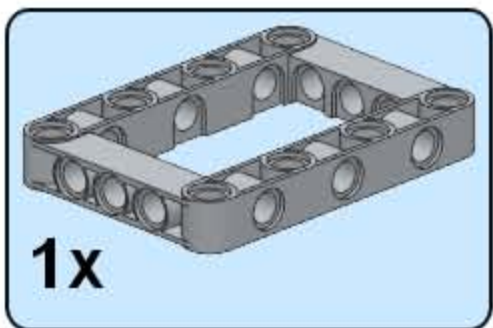
1x

2x

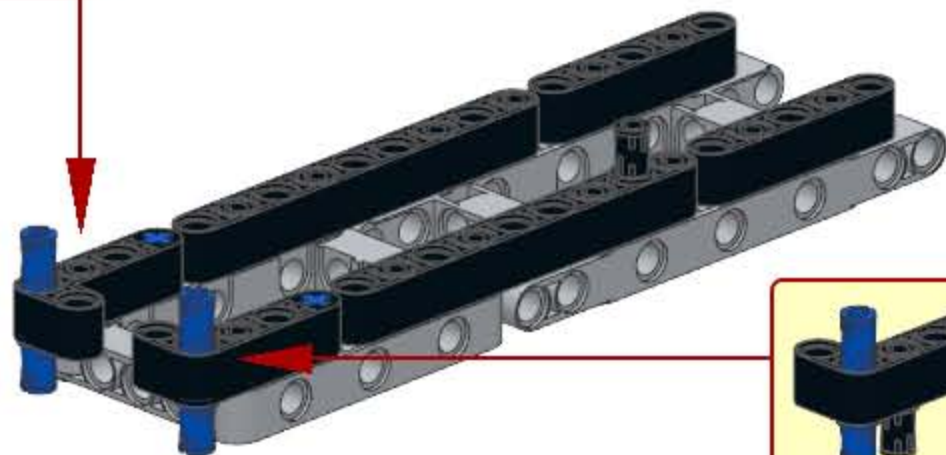
A light blue rounded rectangular box containing a parts list. At the top left is a black 5-hole Technic axle. To its right is the number '5' in red. Below the black axle is a red 11-hole Technic axle. To its right is the number '11' in red. Below the red axle is the quantity '2x' in black.

15

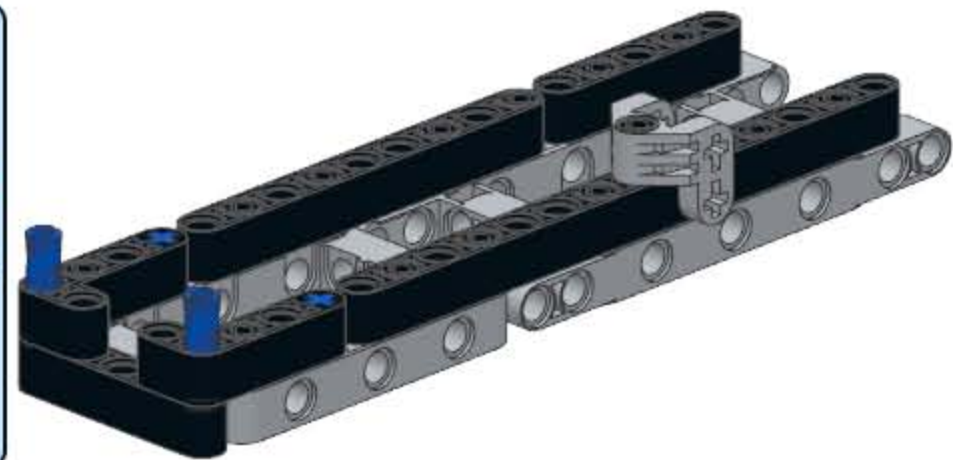
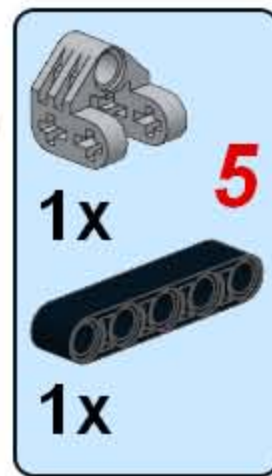


**1****3****2****4**

5



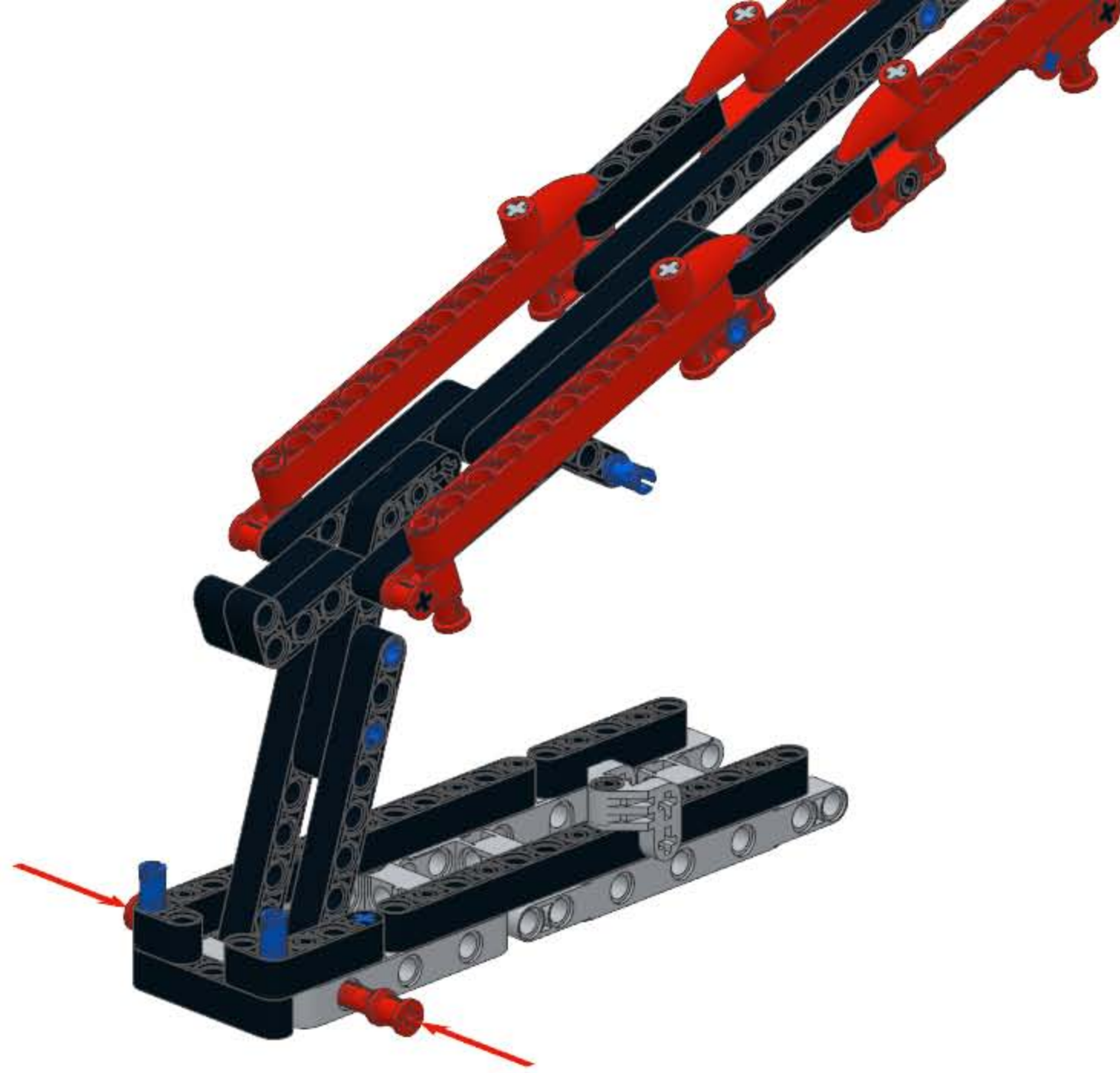
6



1

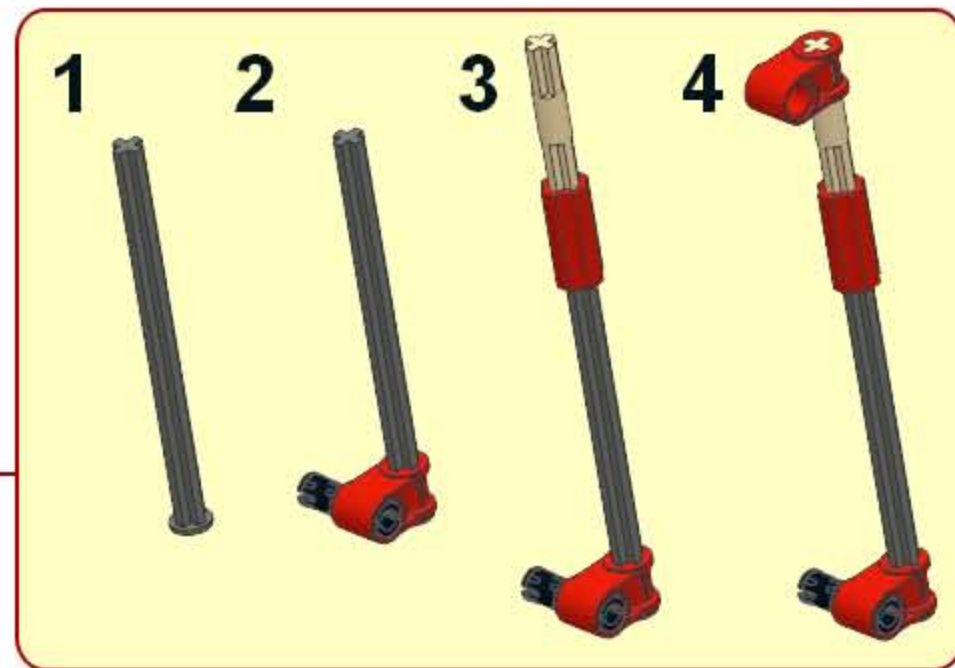
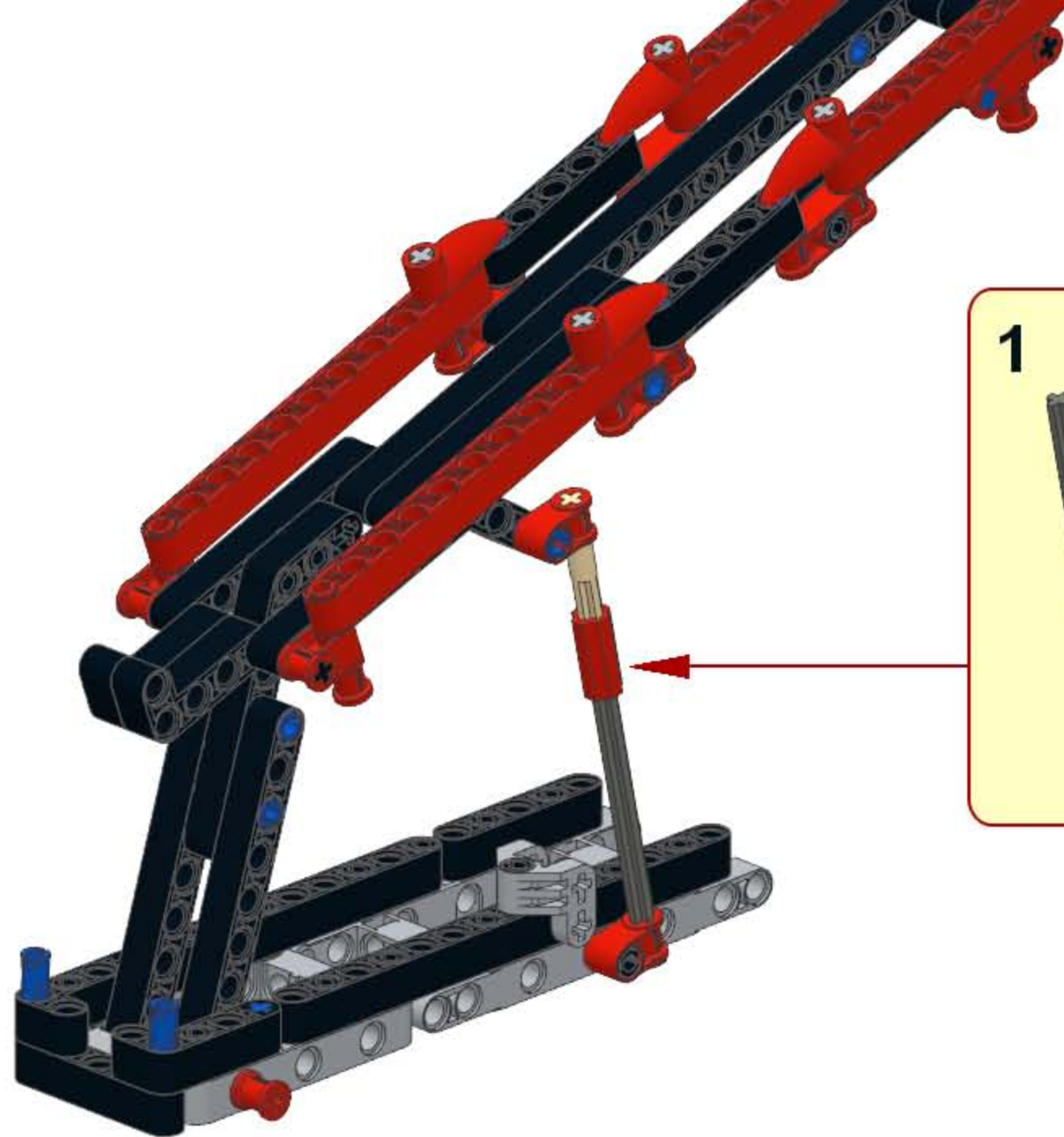
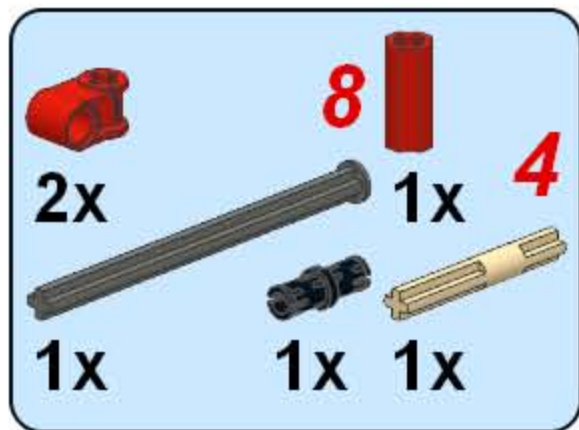


2

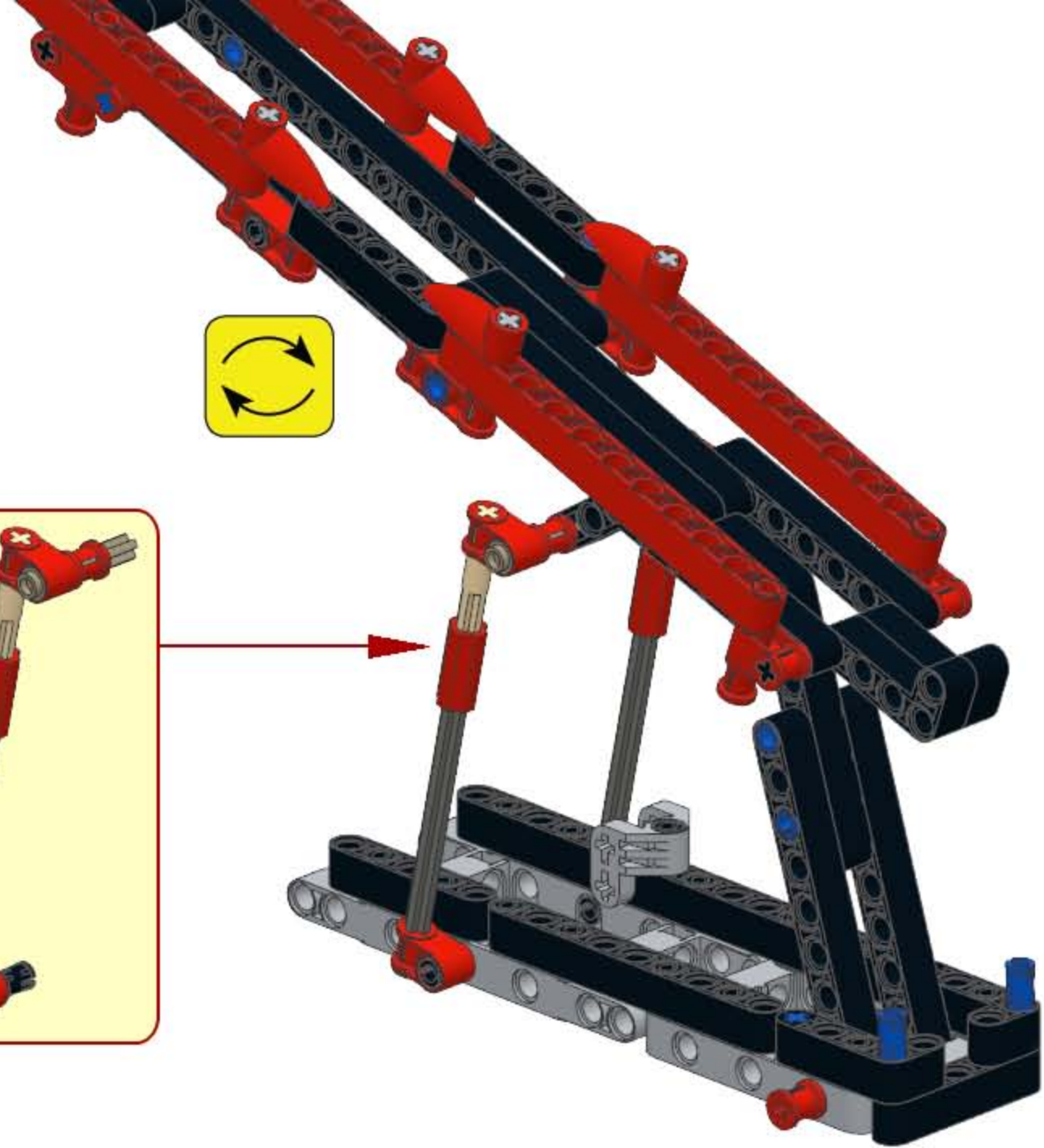
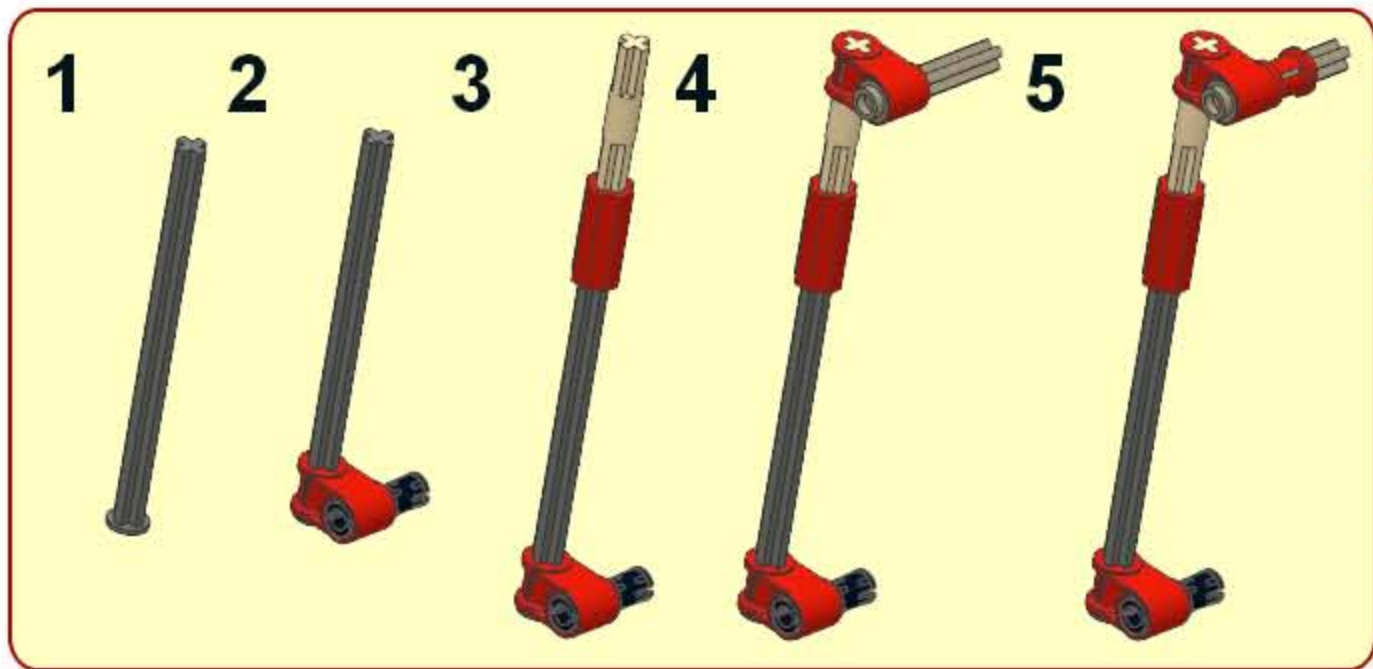
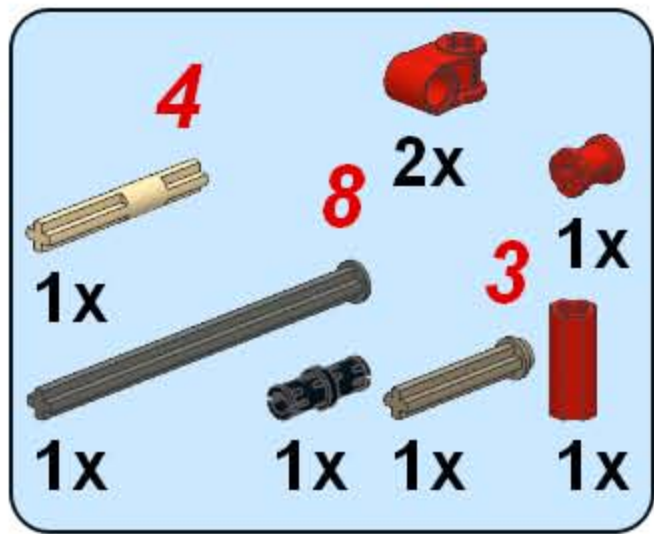




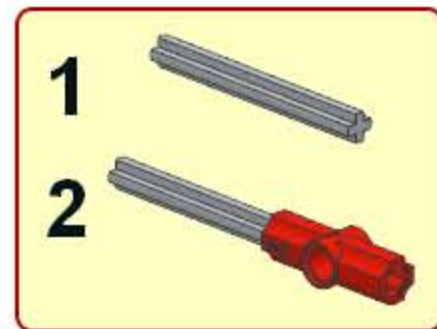
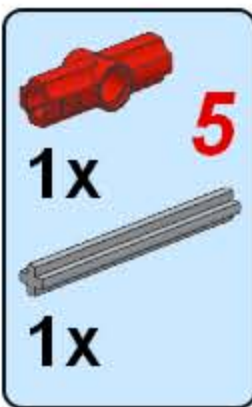
3

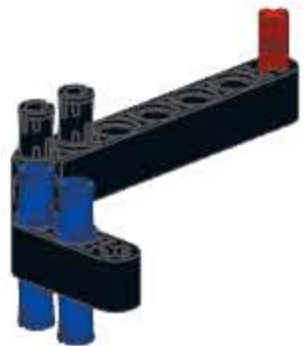
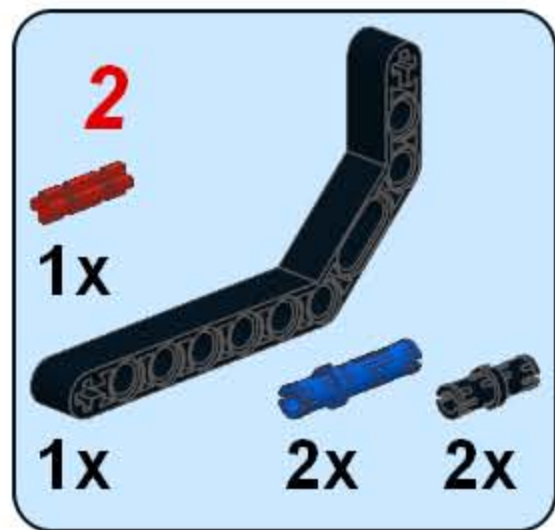
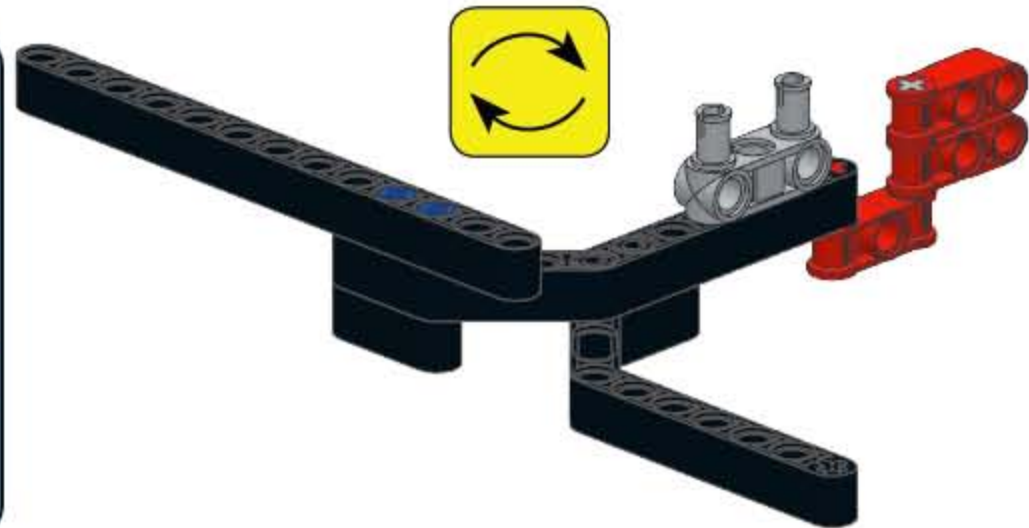
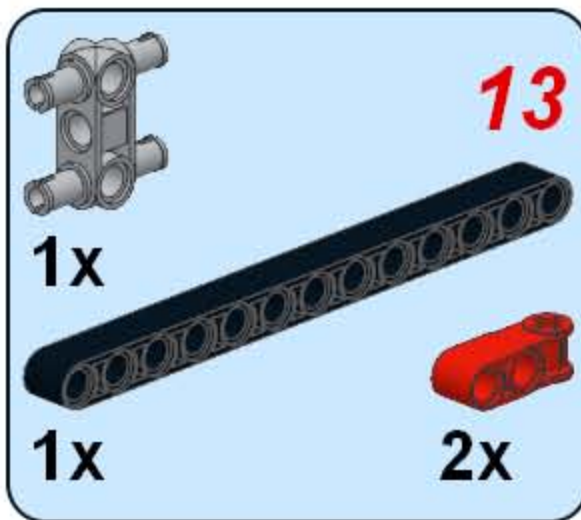
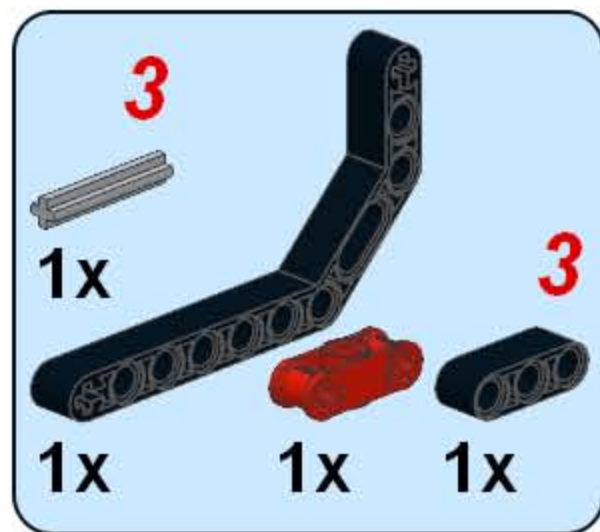
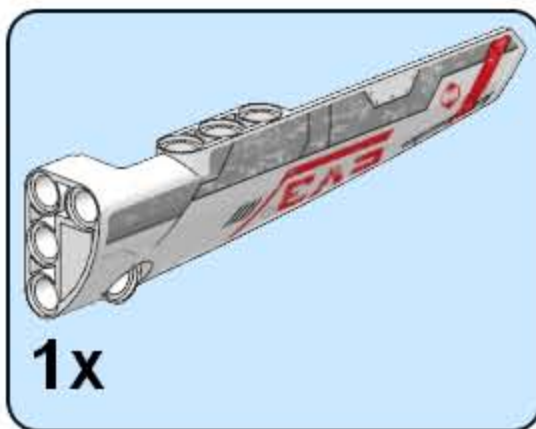


# 4



5







**1****3****2****4**


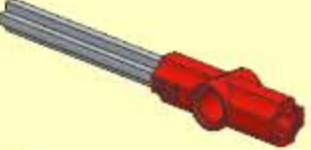

6



7

- 1x 
- 1x  5
- 1x 
- 1x 



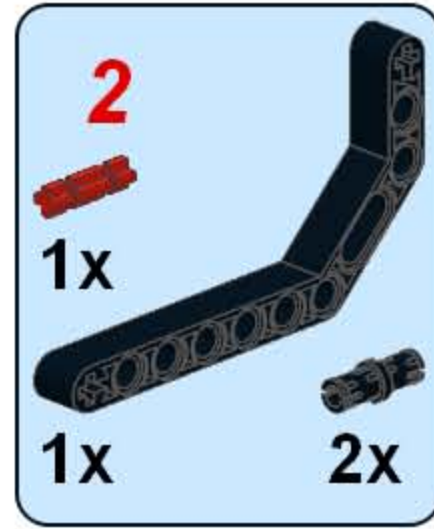
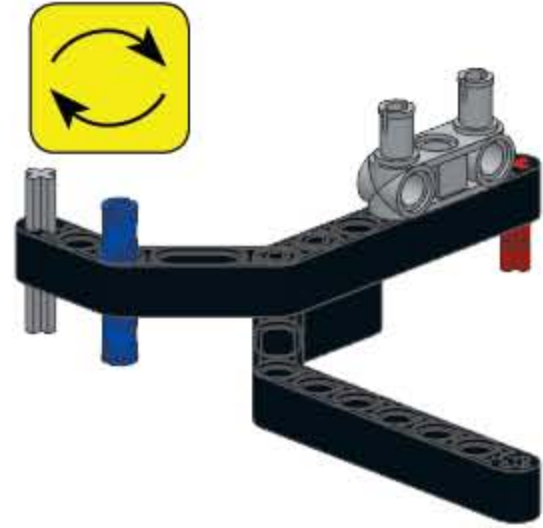
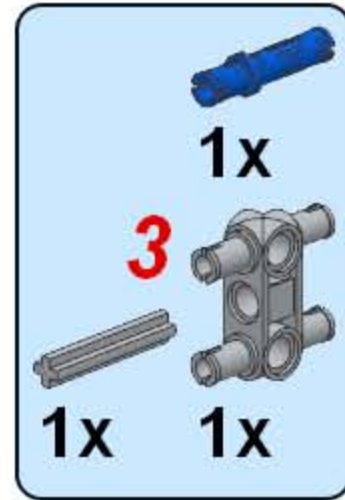
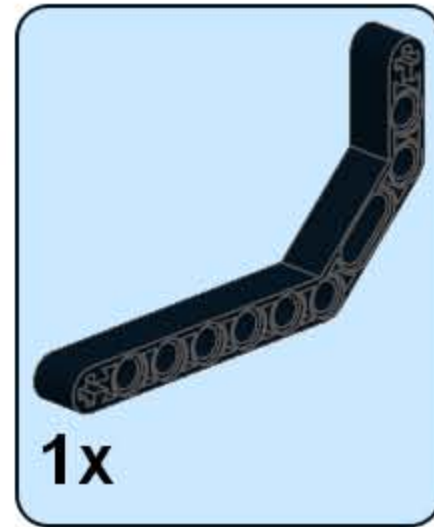
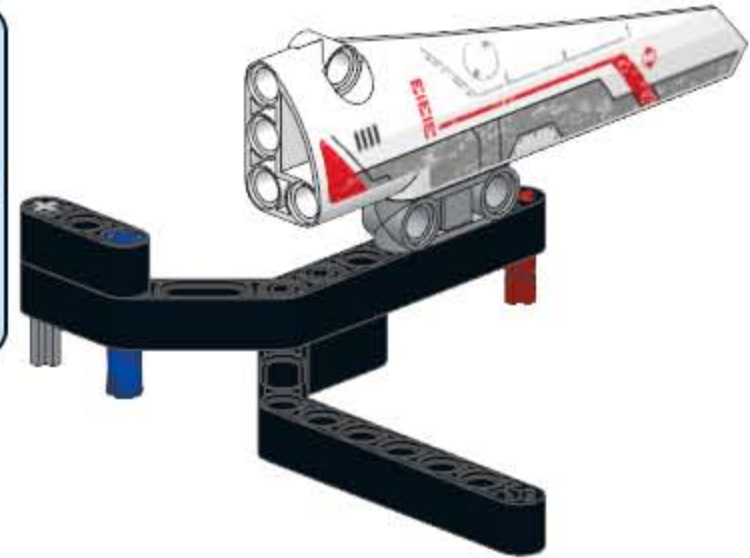
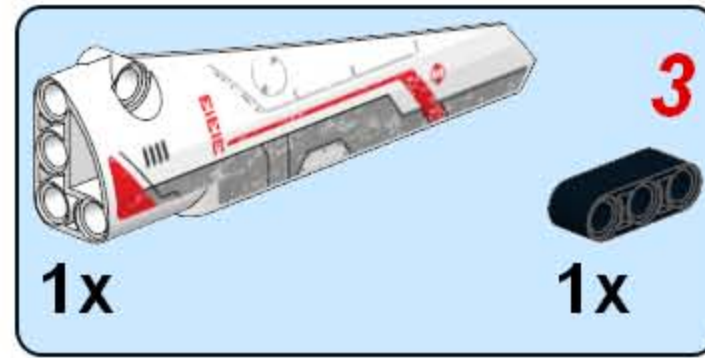
- 1 
- 2 
- 3 

8

	<b>7</b>	
<b>1x</b>		<b>1x</b>
<b>1x</b>	<b>1x</b>	<b>1x</b>
	<b>3</b>	
<b>1x</b>		<b>2x</b>



<b>1</b>	
<b>2</b>	
<b>3</b>	

**1****3****2****4**

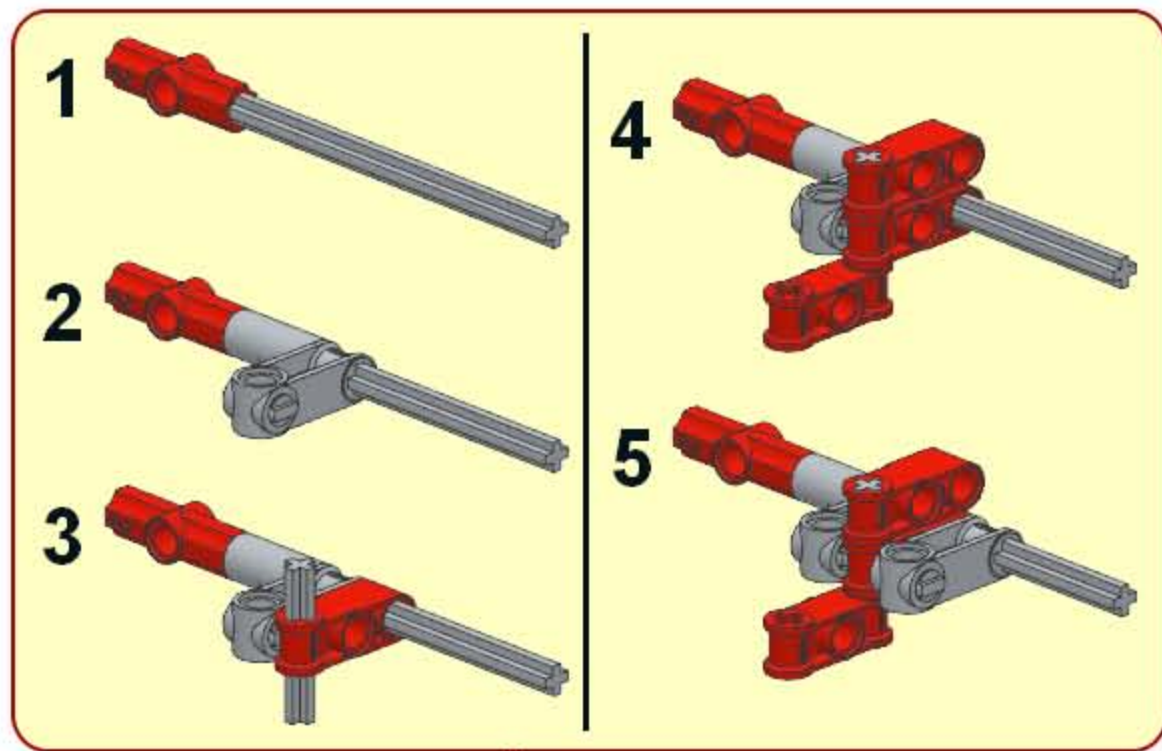
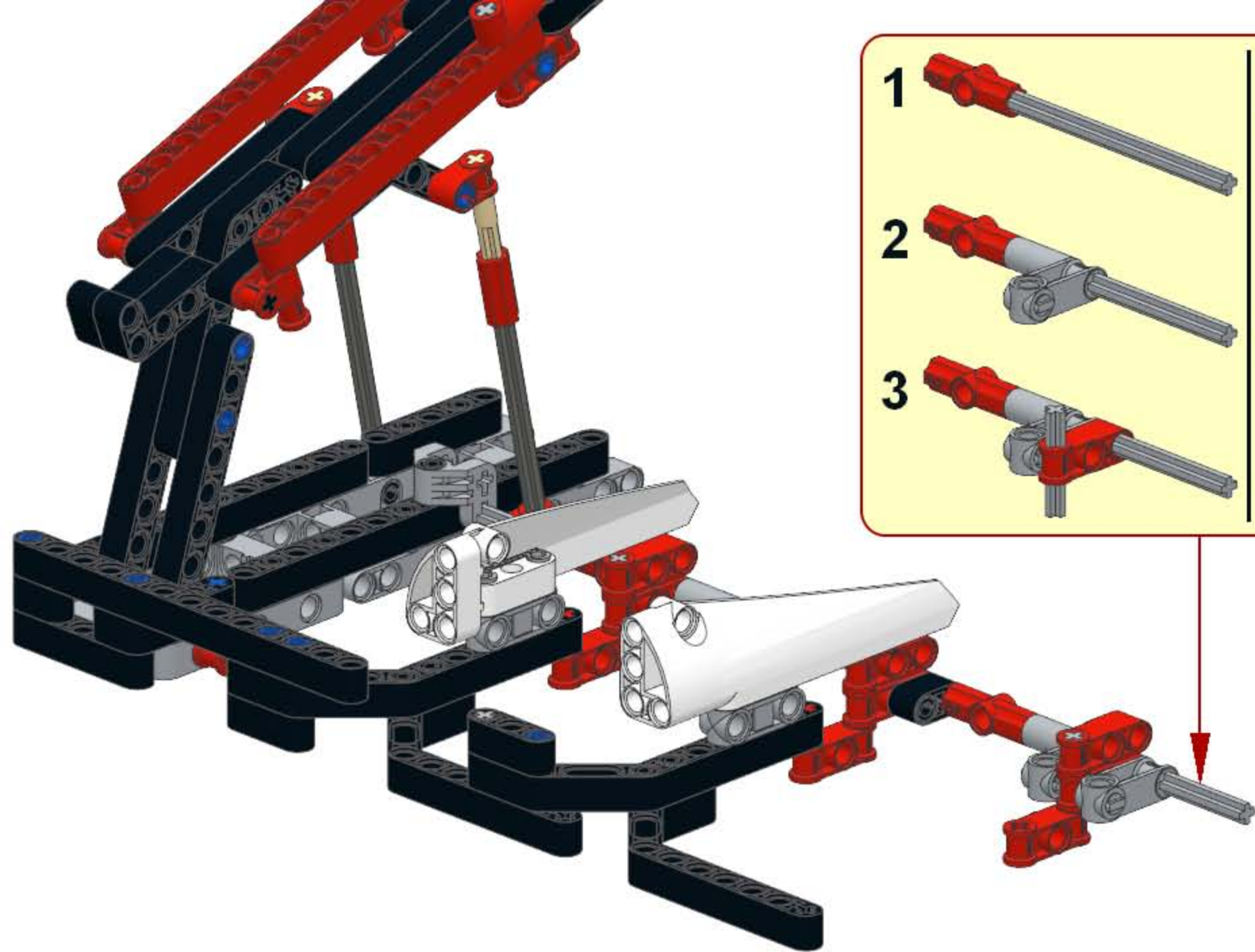


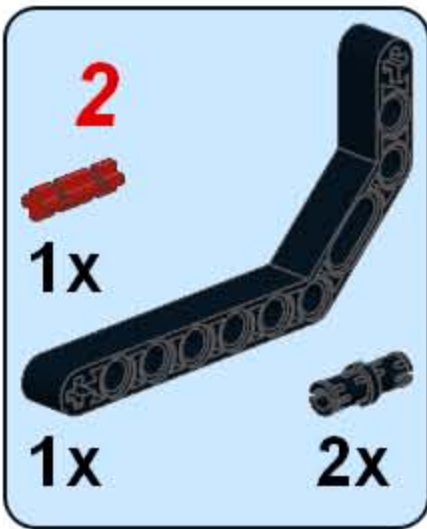
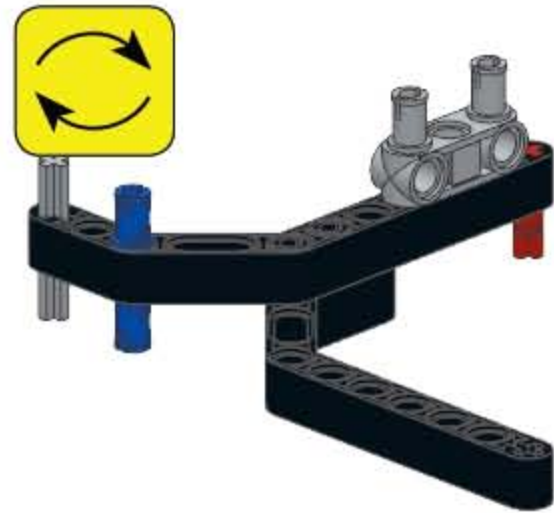
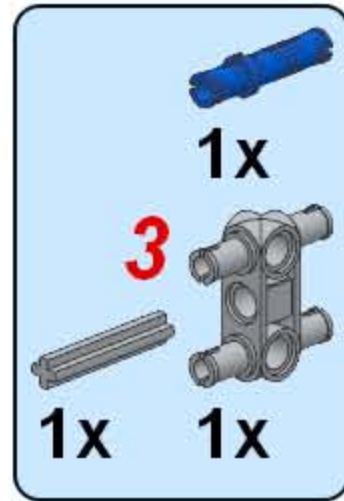
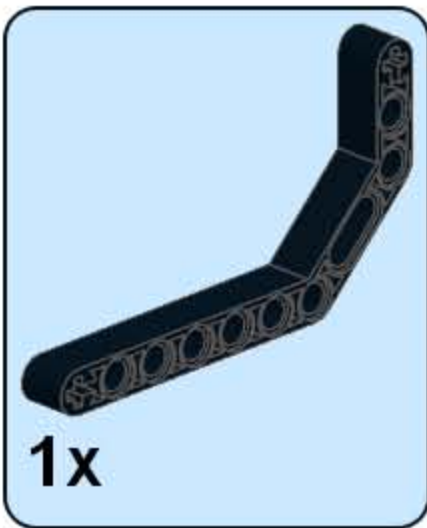
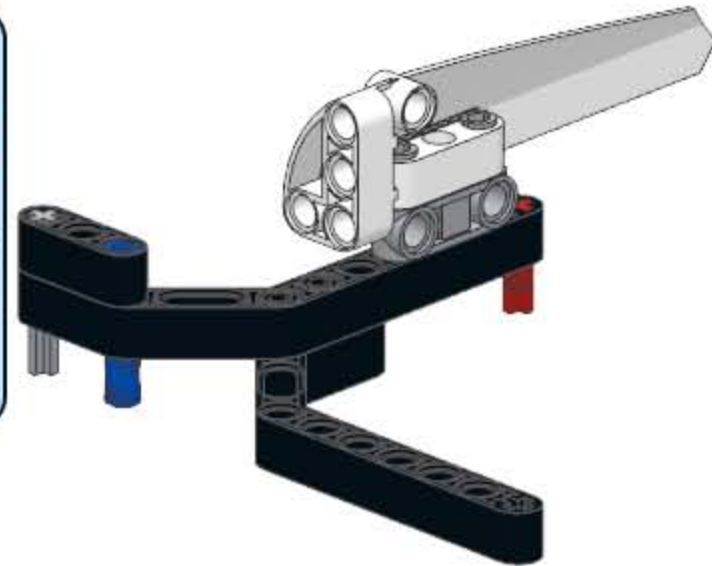
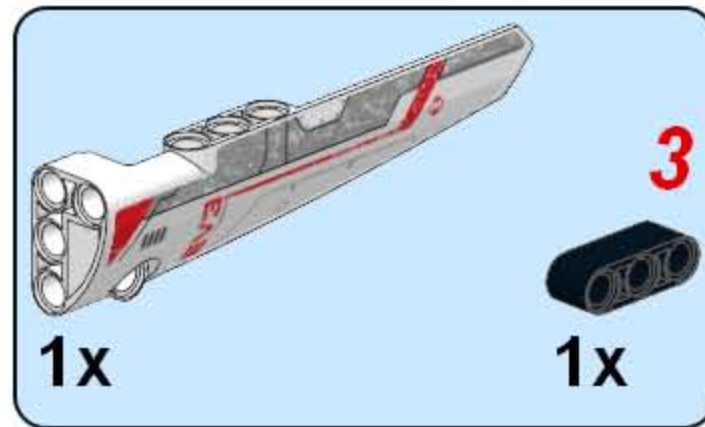
9



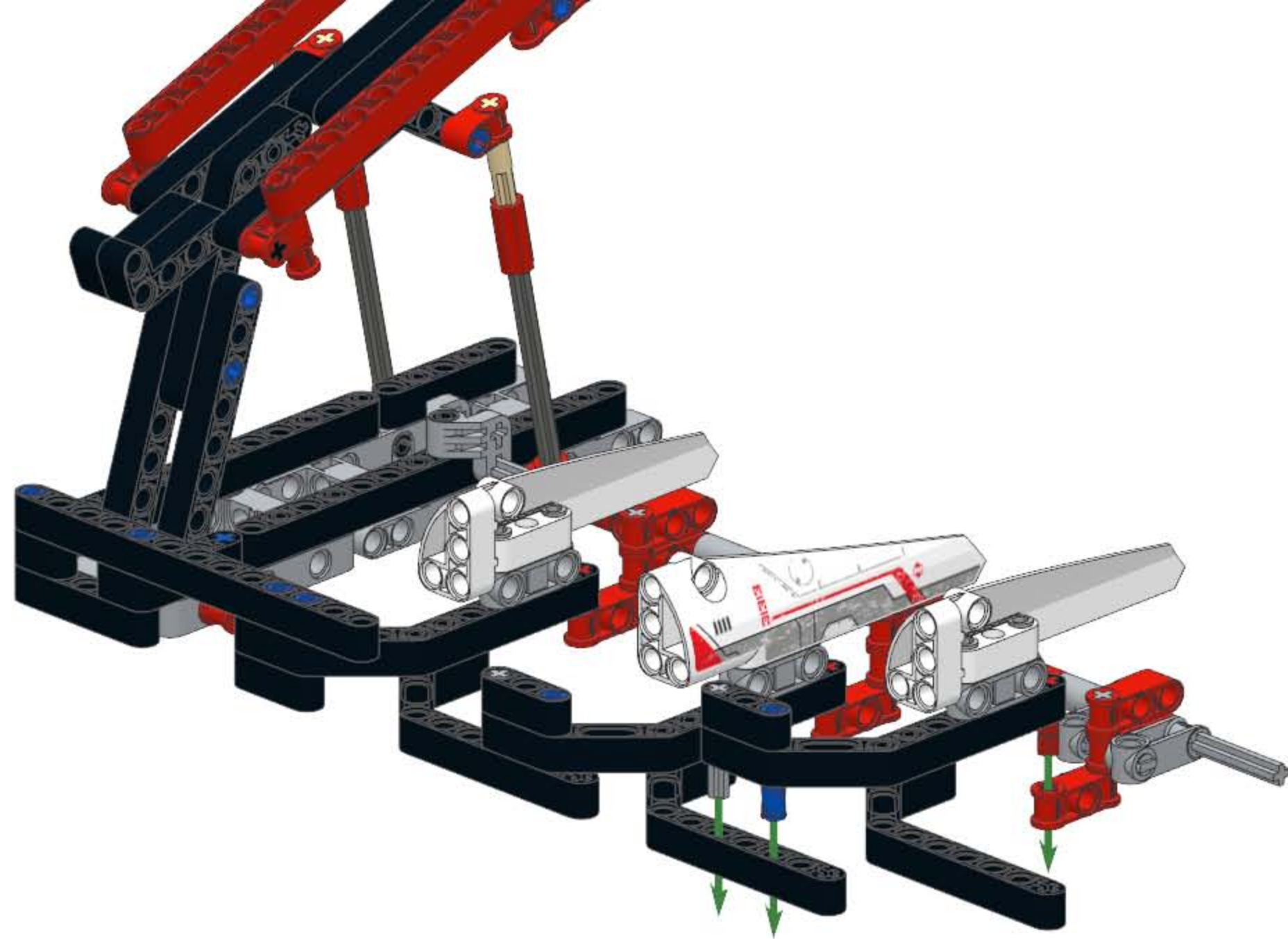
# 10

- 1x 
- 2x 
- 2x 
- 3 
- 1x 
- 1x 
- 1x 



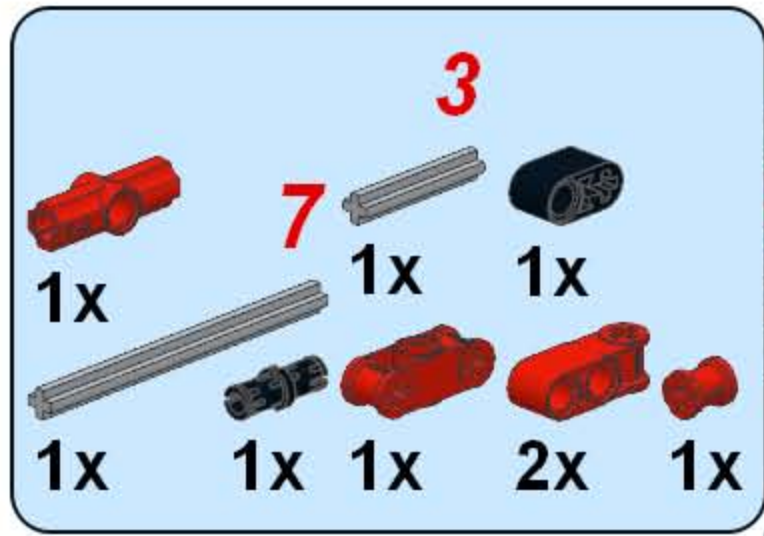
**1****3****2****4**

11

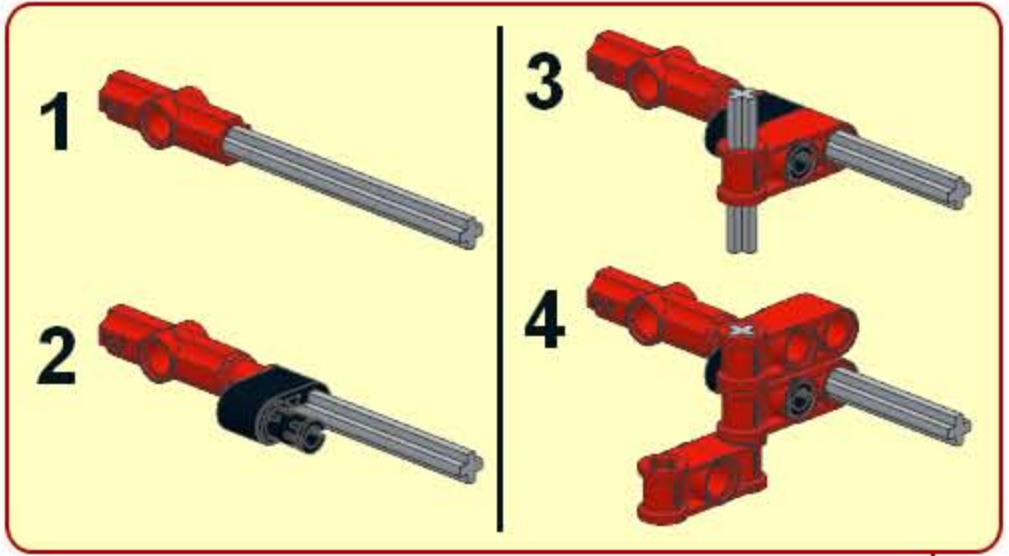
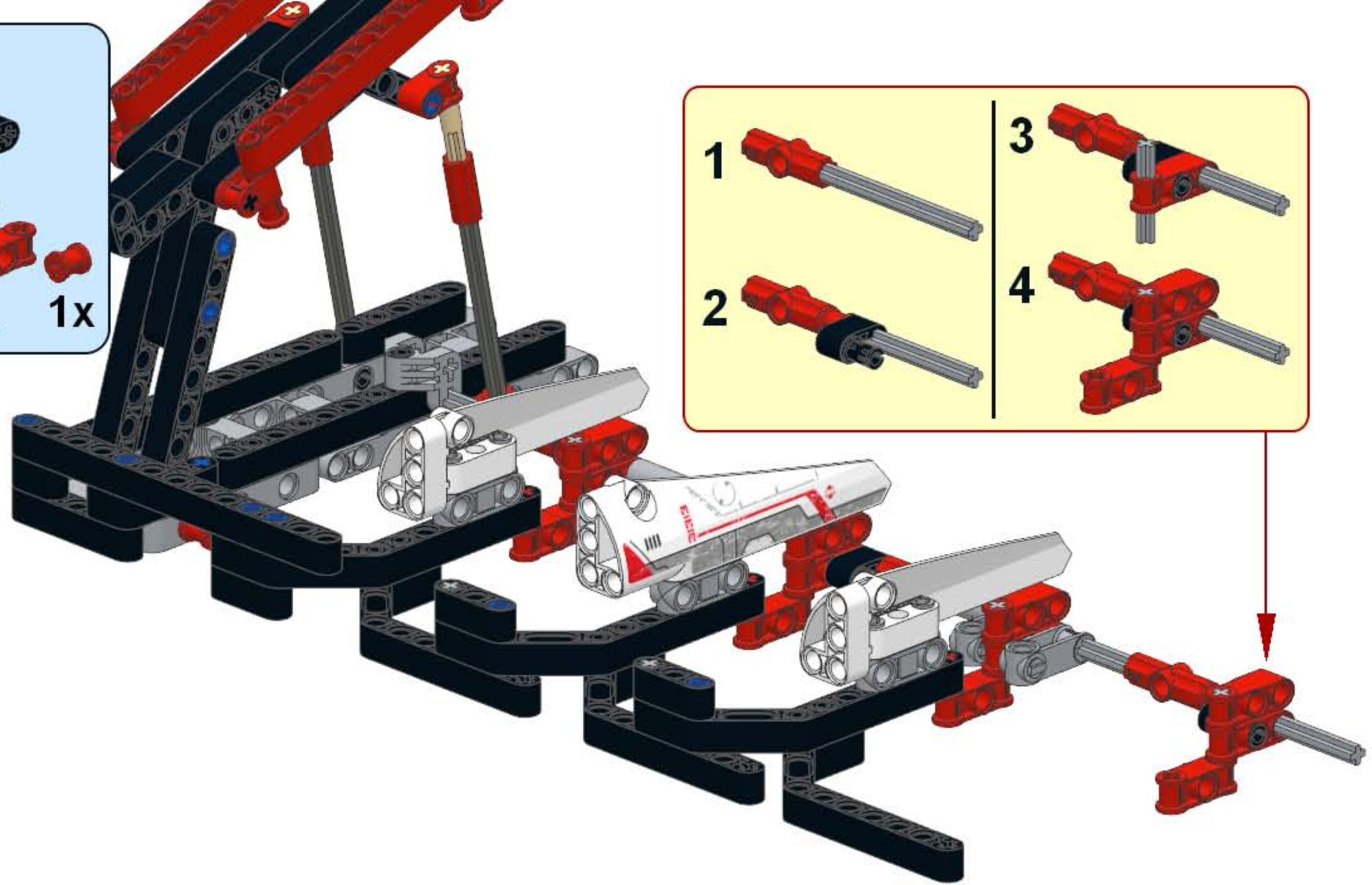


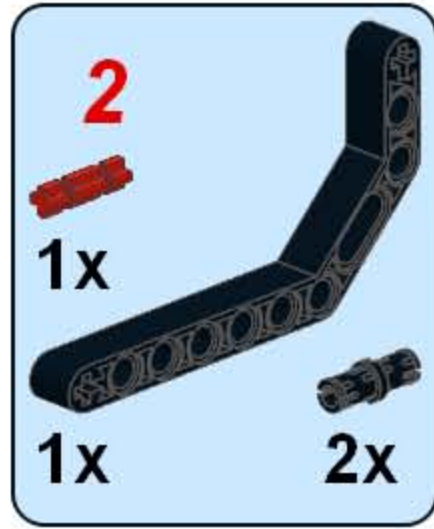
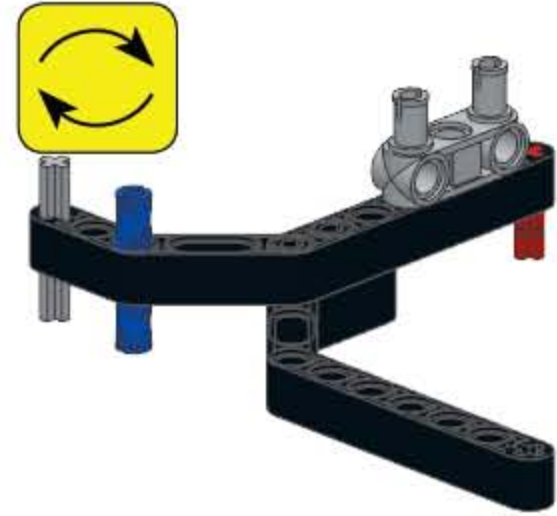
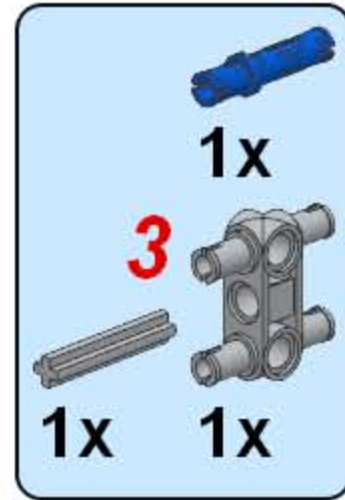
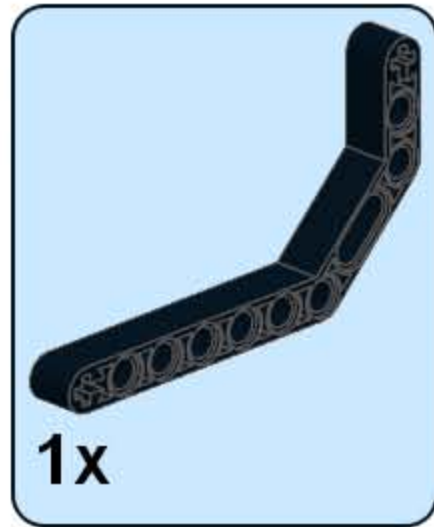
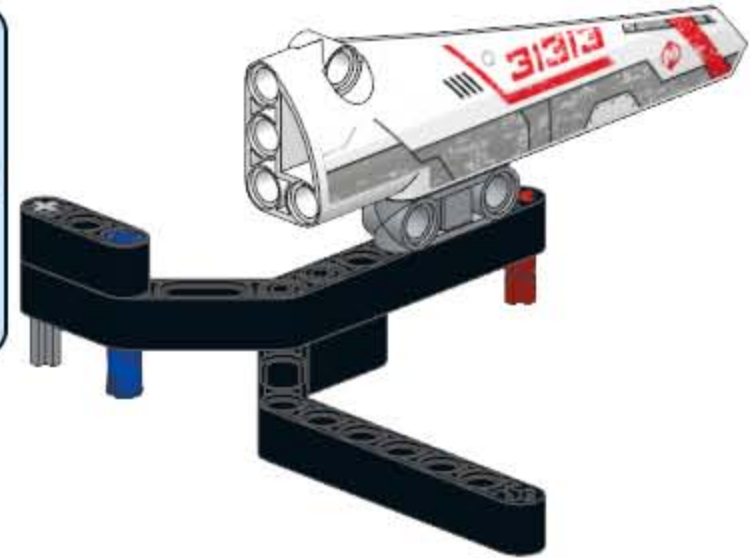
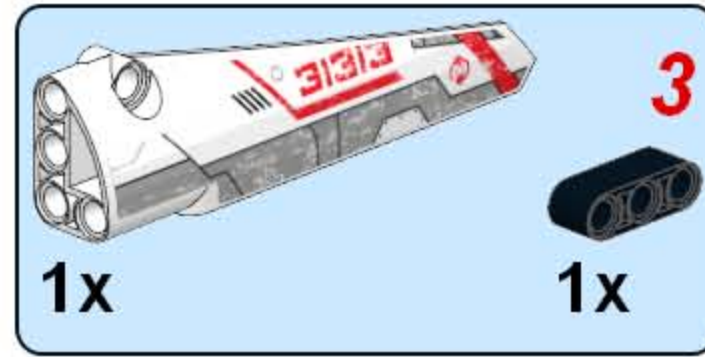
# 12

1x 1x 3 1x  
1x 1x 1x 1x  
1x 1x 1x 2x 1x

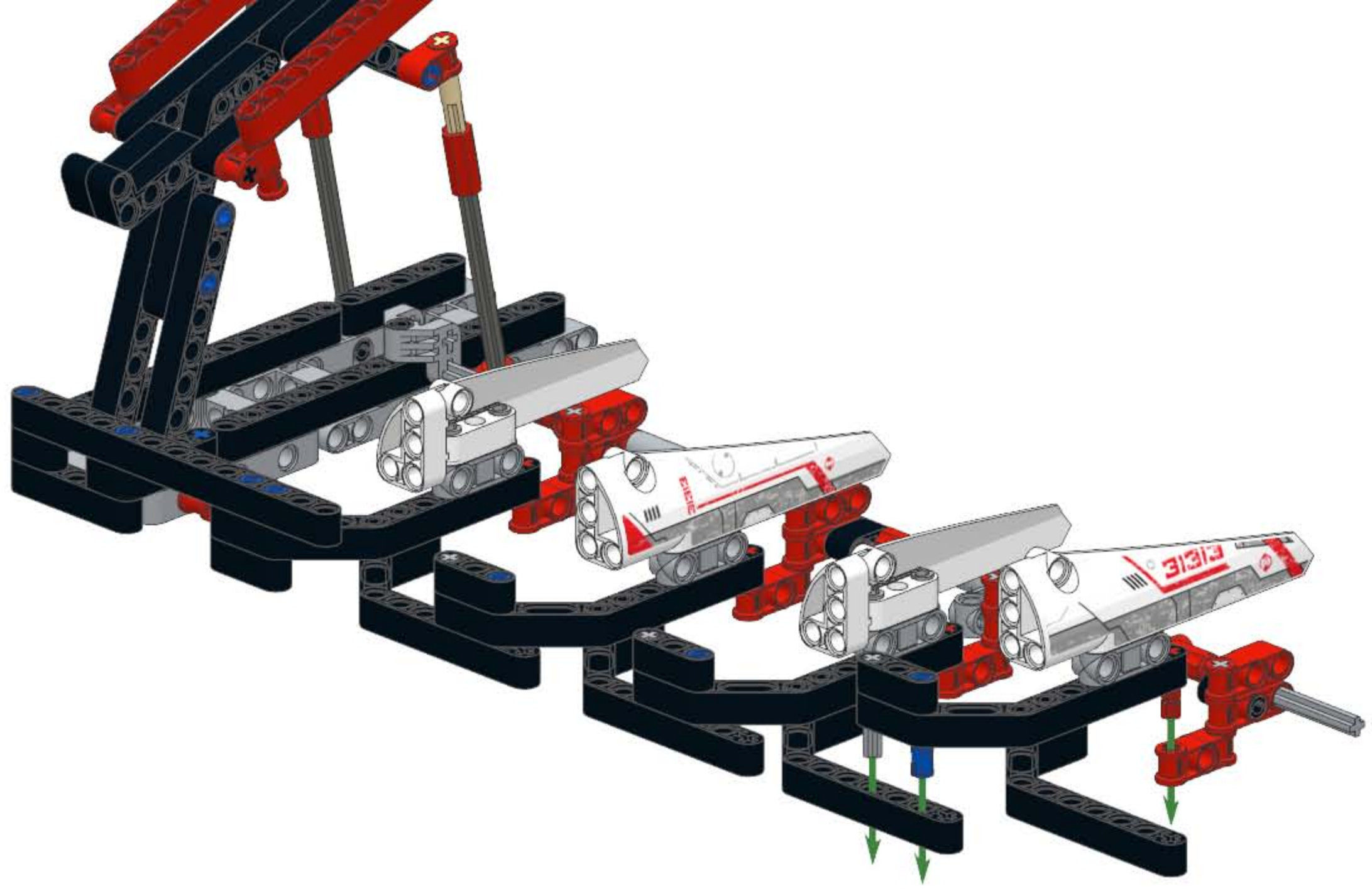
A light blue rounded rectangle containing a list of LEGO parts. The parts are: a red 1x3 Technic connector (1x), a grey 1x7 Technic axle (1x), a grey 1x3 Technic axle (1x), a black 1x3 Technic axle (1x), a black 1x3 Technic axle (1x), a red 1x3 Technic connector (1x), a red 1x3 Technic connector (1x), a red 1x3 Technic connector (1x), a red 1x3 Technic connector (2x), and a red 1x3 Technic connector (1x).

1 2 3 4

A yellow rounded rectangle showing the assembly sequence for step 12. It is divided into two columns. The left column shows steps 1 and 2: step 1 shows a red 1x3 Technic connector being inserted onto a grey 1x7 Technic axle; step 2 shows a black 1x3 Technic axle being inserted into the red connector. The right column shows steps 3 and 4: step 3 shows the assembly from step 2 being inserted into a red 1x3 Technic connector; step 4 shows the final assembly from step 3 being inserted into another red 1x3 Technic connector.

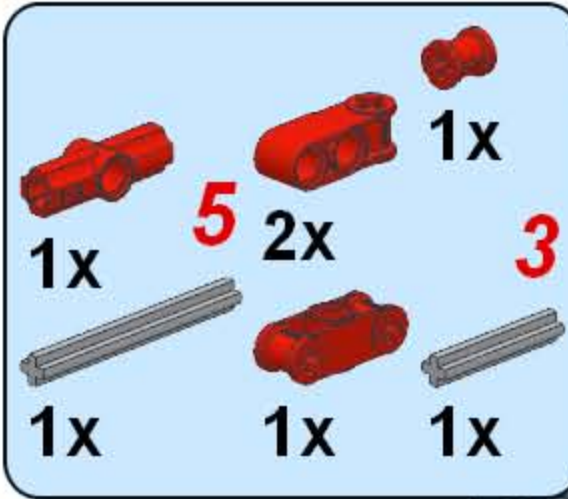
**1****3****2****4**

13



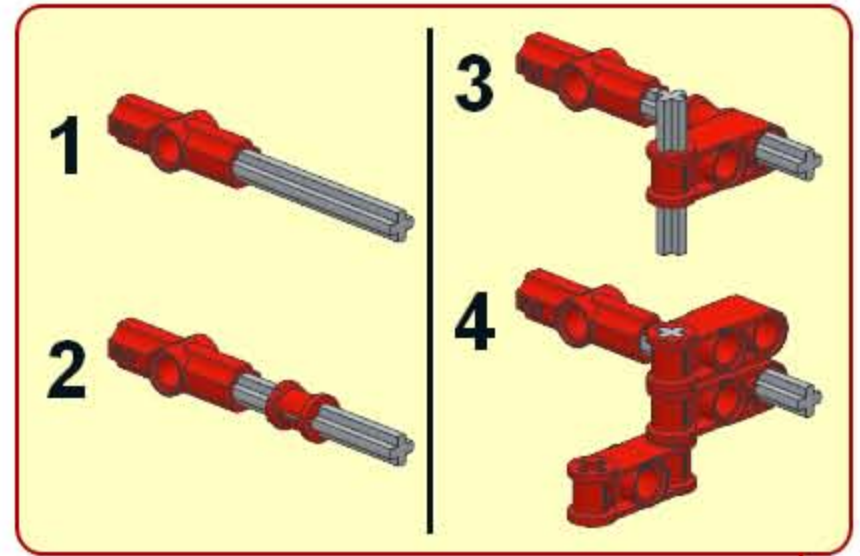
14

1x 1x 1x  
5 2x  
1x 1x 3

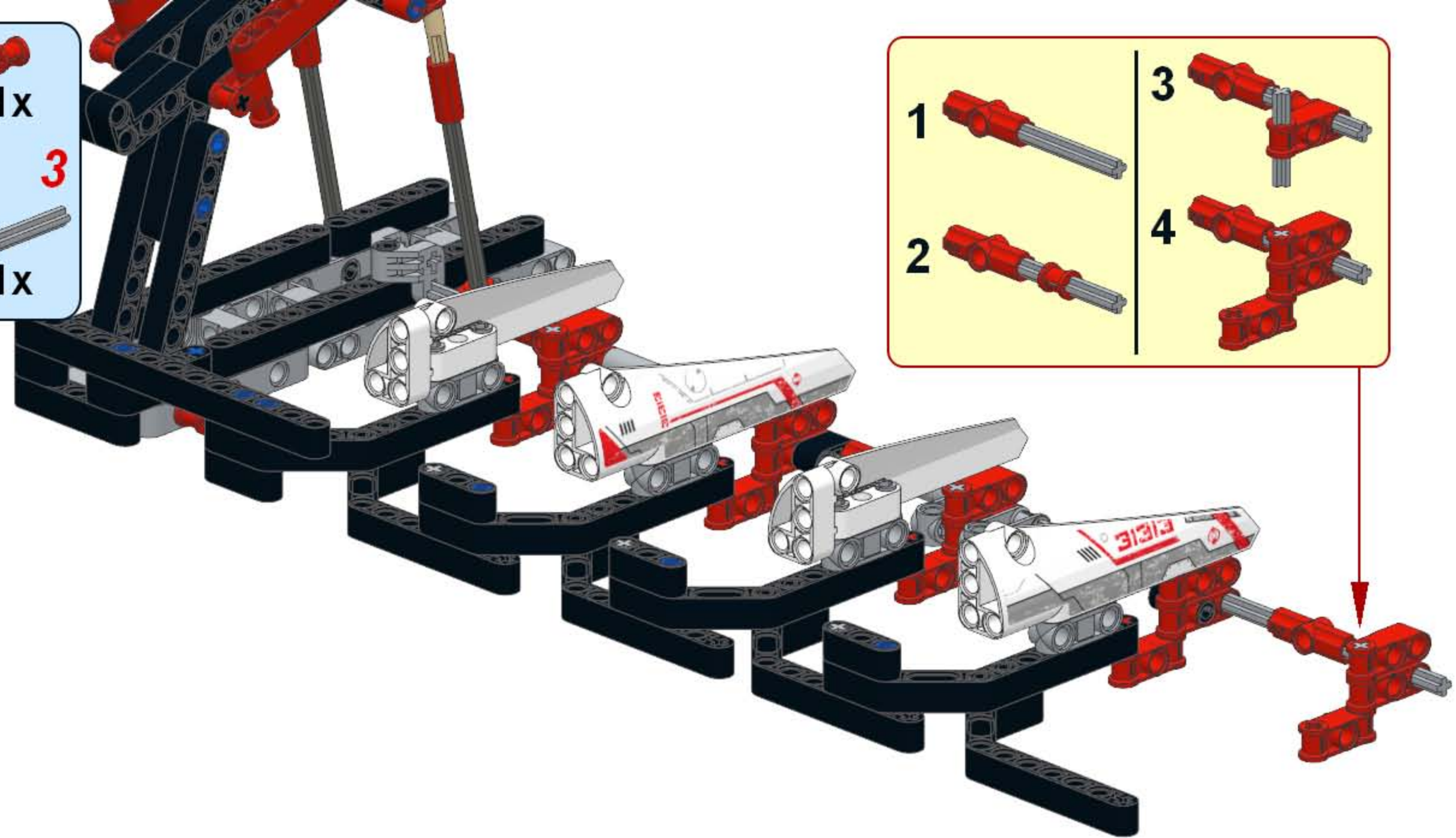


A light blue rounded rectangle containing a list of parts. The parts are: a red 3-hole Technic axle connector (1x), a grey Technic axle of length 5 (5), a red 3-hole Technic axle connector (2x), a red 2-hole Technic axle connector (1x), a grey Technic axle of length 3 (3), a grey Technic axle of length 1 (1x), and a red 2-hole Technic axle connector (1x).

1 2 3 4

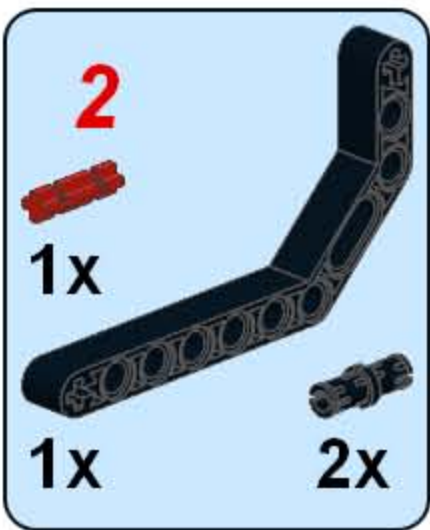


A yellow rounded rectangle showing a four-step assembly sequence. Step 1: A red 3-hole Technic axle connector is attached to a grey Technic axle. Step 2: A second red 3-hole Technic axle connector is attached to the end of the axle. Step 3: A red 2-hole Technic axle connector is attached to the end of the axle. Step 4: A red 3-hole Technic axle connector is attached to the end of the axle, completing the assembly.

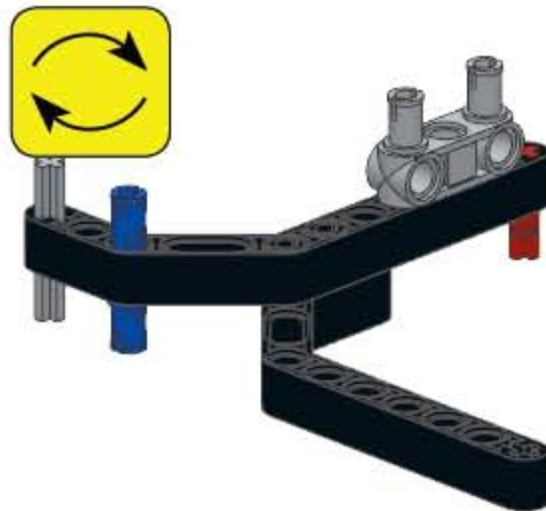
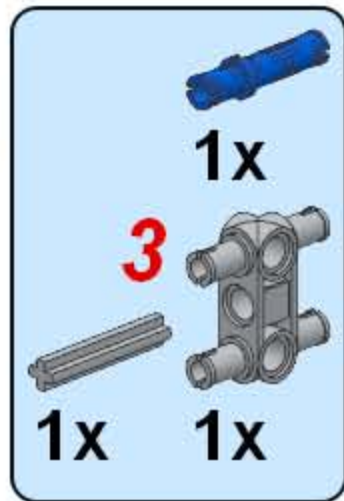




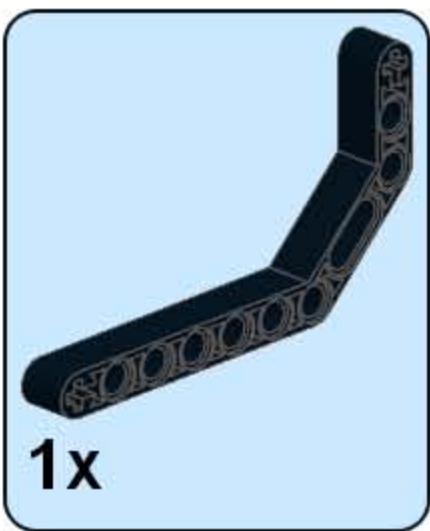
**1**



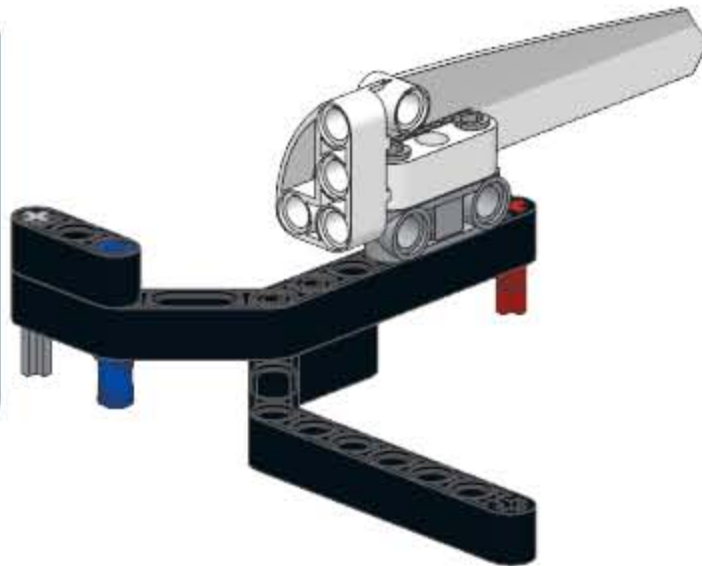
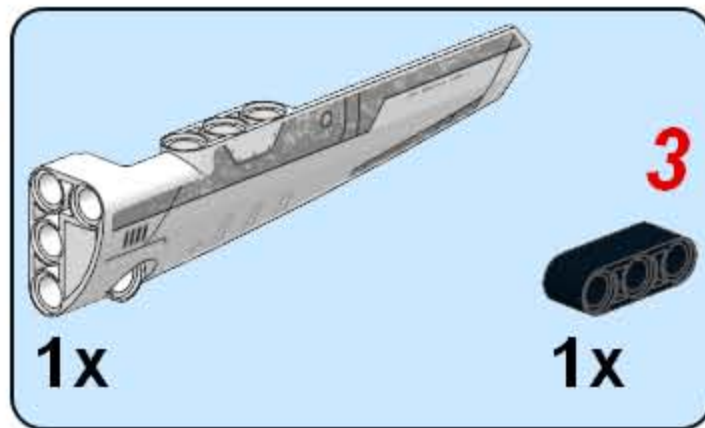
**3**



**2**

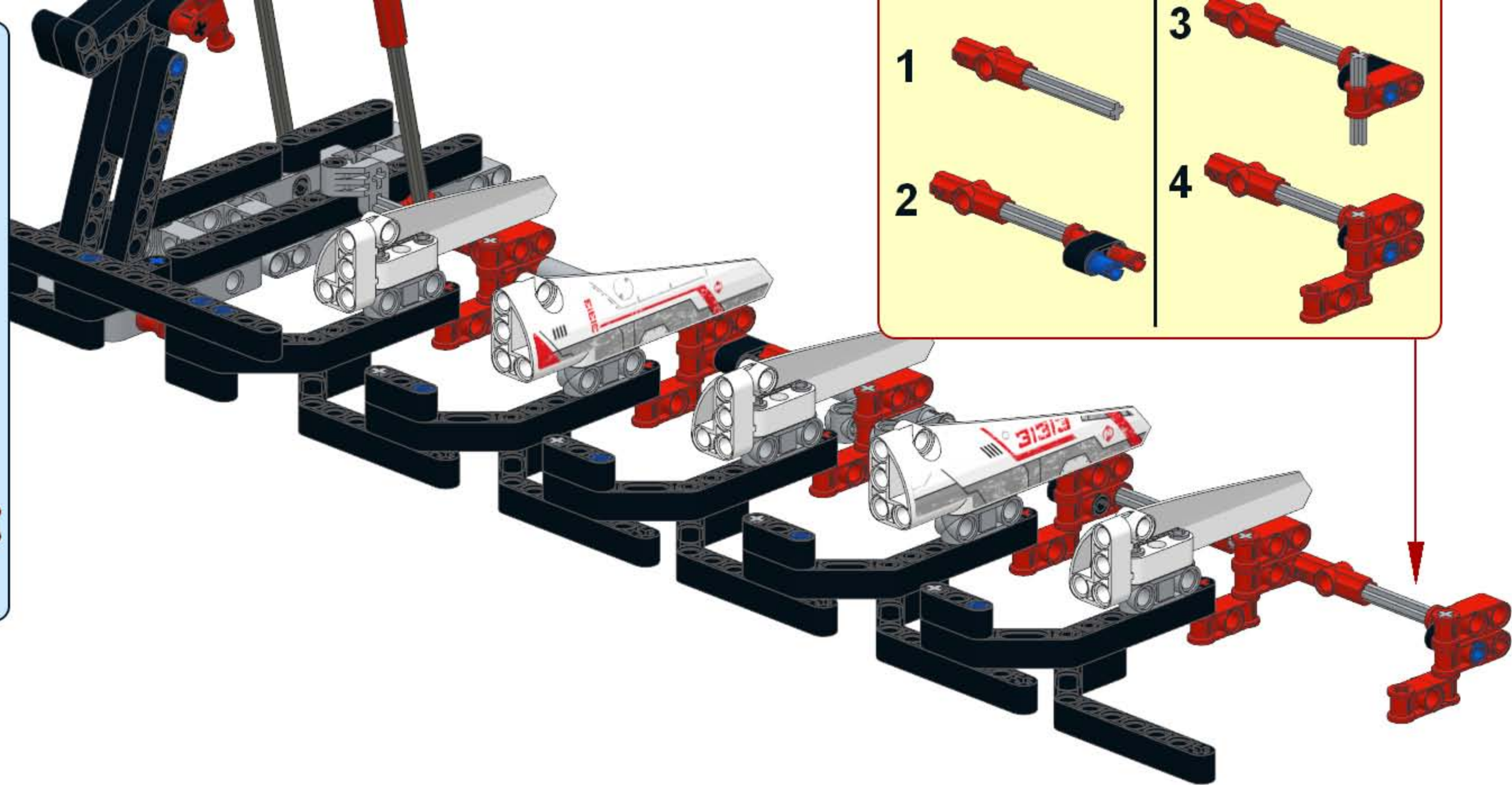


**4**



# 15

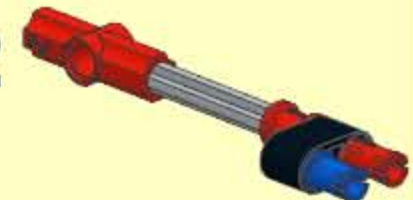
- 3**  
1x
- 1x
- 1x
- 1x
- 1x
- 1x
- 1x
- 1x
- 5**  
1x
- 1x
- 2x



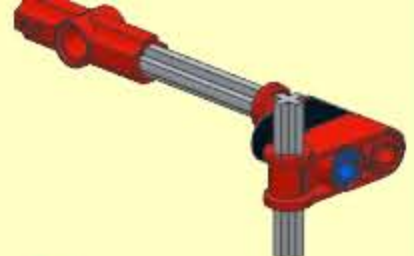
1



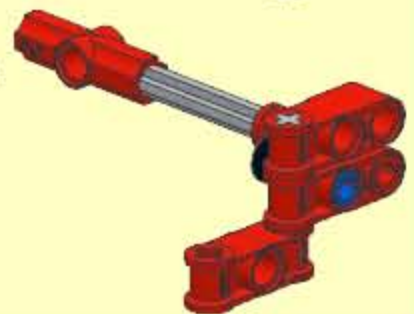
2

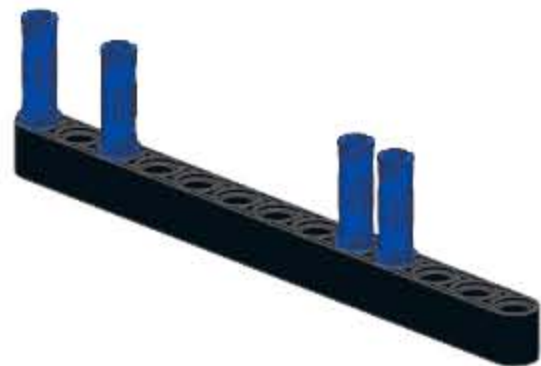
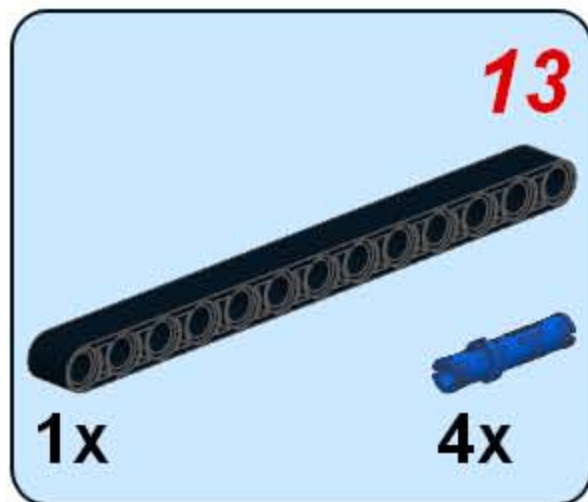
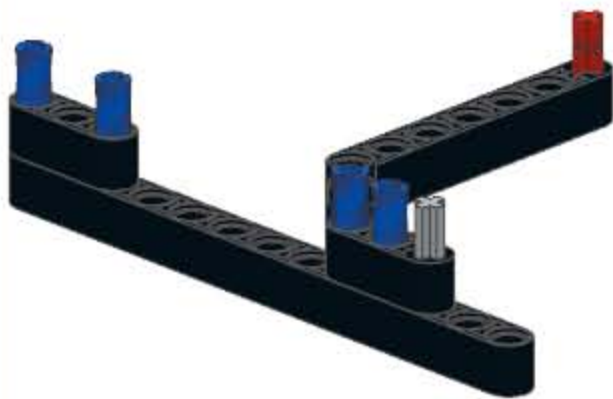
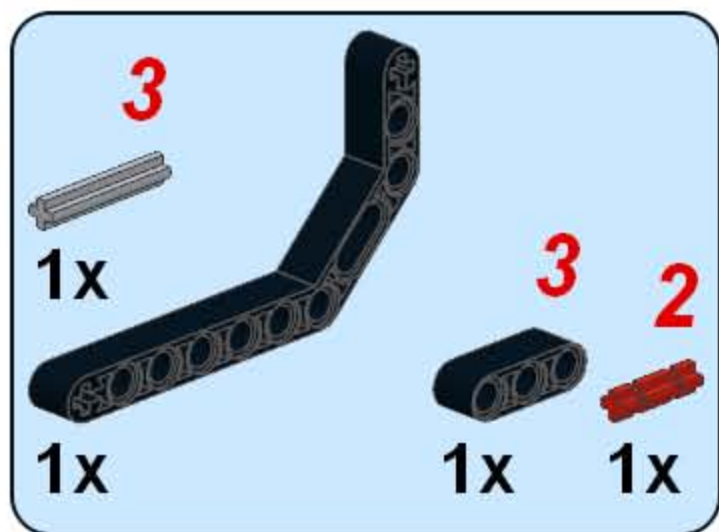
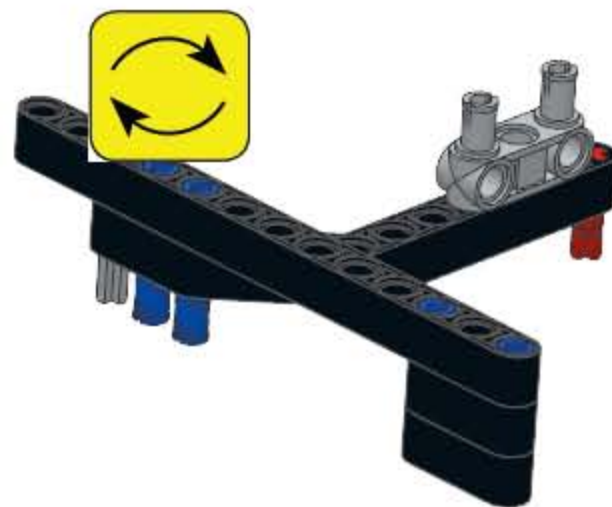
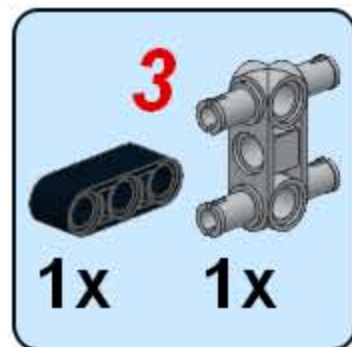
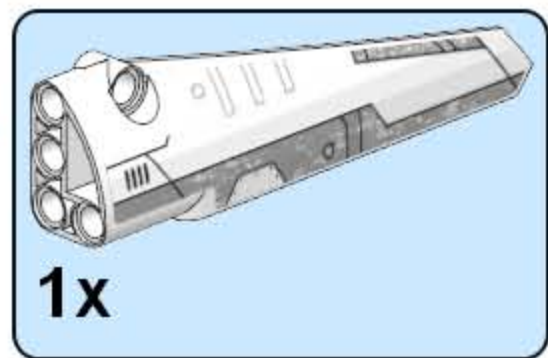


3

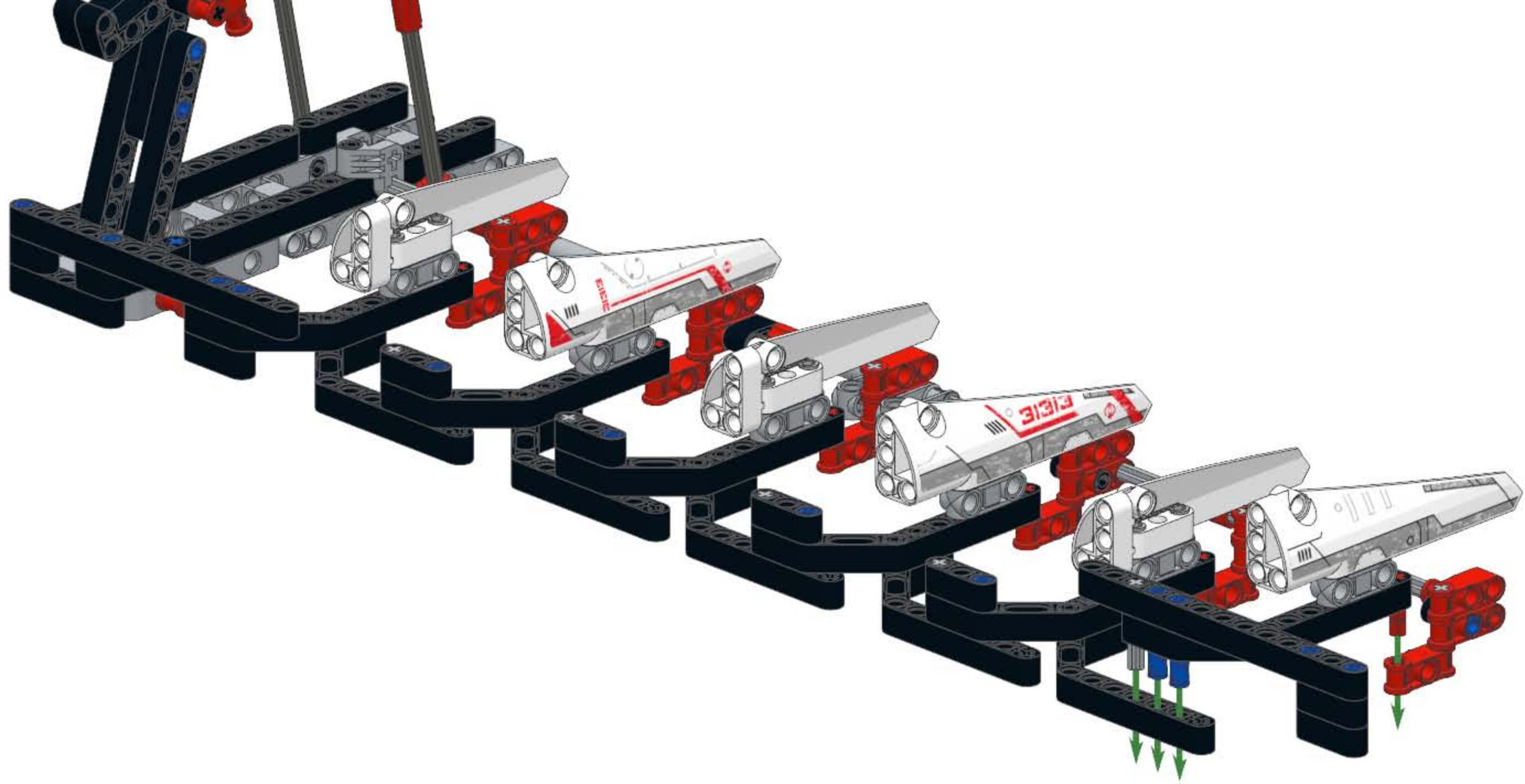


4



**1****2****3****4**

16



17



Model and building instructions by Philippe «Philo» Hurbain  
Built from a single 31313 EV3<sup>®</sup> MINDSTORMS<sup>®</sup> set.

Please visit <http://philohome.com>

LEGO<sup>®</sup> is a trademark of the LEGO Group of companies  
which does not sponsor, authorize or endorse this document